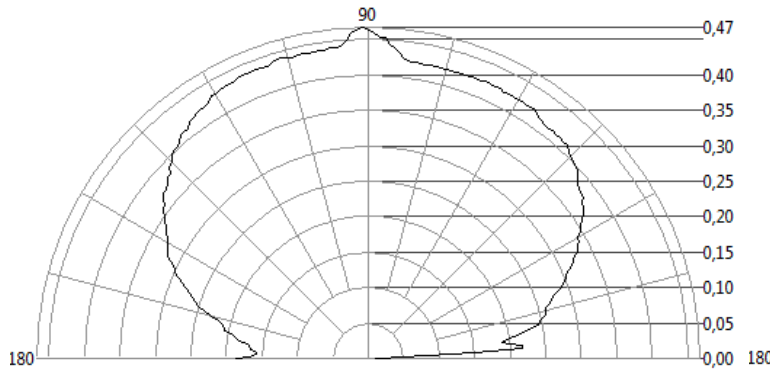


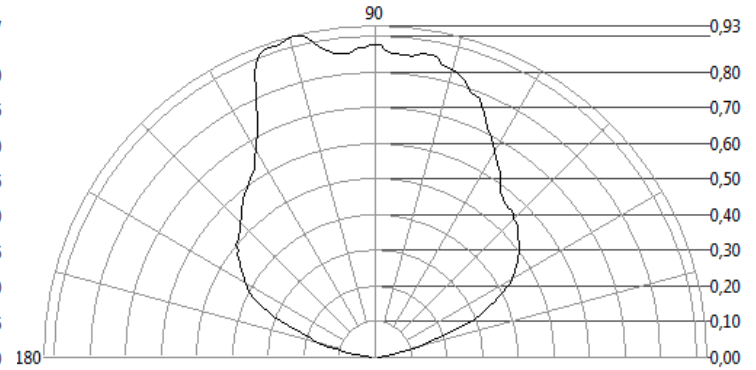


Beam divergence

Plain LEDs (without a reflector)

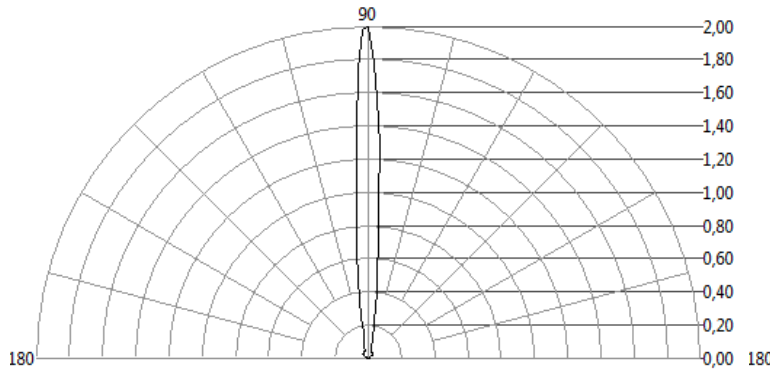


flat TO-18 package

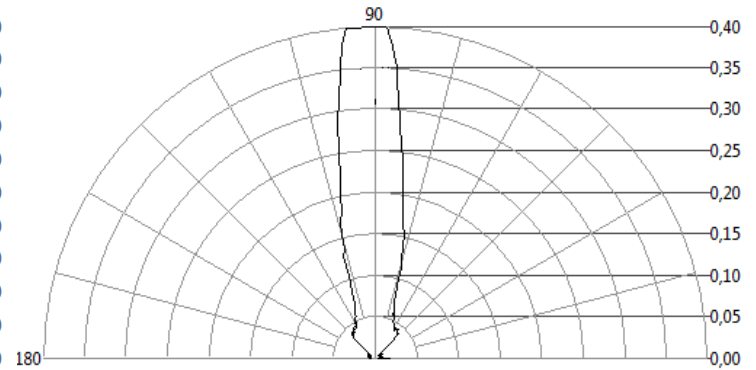


TO-18 package with a cavity

LEDs with a parabolic reflector

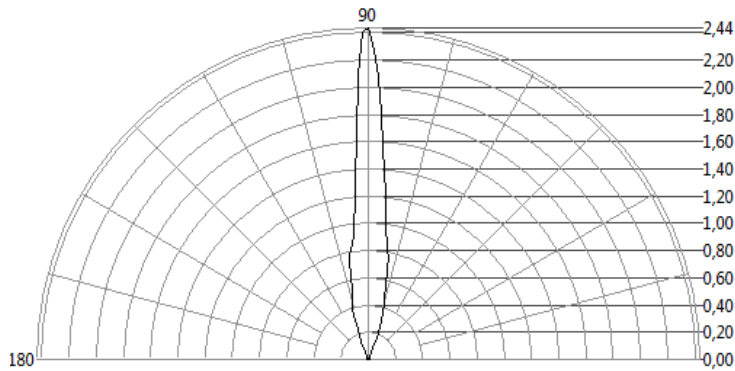


flat TO-18 package



TO-18 package with a cavity

LEDs with a conic reflector



flat TO-18 package

Note! All the intensity values are arbitrary; the values from the different diagrams are incomparable.