



Sockets



RoHS Compliant
ISO 9001
Certified

| GENICOM | | | | | | |
|-------------------------|---|---------------|------------------|---------------|------------------|----------------|
| Genicom Model Number | Andon Part Number Replace "XXX" with Terminal Type | Terminal Type | | Pin Ø [in] | Figure Number | Page Number |
| | | Thru-Hole | Surface Mount | | | |
| GUVA-T11GD | R100-0402-06T-XXX-R27-L14 | 75S | 265S | .018 | 21C | 1 |
| GUVA-T11GD-L | R100-0402-06T-XXX-R27-L14 | 75S | 265S | .018 | 21C | 1 |
| GUVA-T21GH | R197-0403-01T-XXX-R27-L14 | 01S | 93S | .018 | 50-2 | 2 |
| GUVA-T21GD-U | R197-0403-01T-XXX-R27-L14 | 01S | 93S | .018 | 50-2 | 2 |
| GUVB-T11GD | R100-0402-06T-XXX-R27-L14 | 75S | 265S | .018 | 21C | 1 |
| GUVB-T11GD-L | R100-0402-06T-XXX-R27-L14 | 75S | 265S | .018 | 21C | 1 |
| GUVB-T21GD-U | R197-0403-01T-XXX-R27-L14 | 01S | 93S | .018 | 50-2 | 2 |
| GUVB-T21GH | R197-0403-01T-XXX-R27-L14 | 01S | 93S | .018 | 50-2 | 2 |
| GUVV-T10GD | R100-0402-06T-XXX-R27-L14 | 75S | 265S | .018 | 21C | 1 |
| GUVV-T10GD-L | R100-0402-06T-XXX-R27-L14 | 75S | 265S | .018 | 21C | 1 |
| GUVV-T20GD-U | R197-0403-01T-XXX-R27-L14 | 01S | 93S | .018 | 50-2 | 2 |
| GUVV-T20GH | R197-0403-01T-XXX-R27-L14 | 01S | 93S | .018 | 50-2 | 2 |
| GUVV-T10GD | R100-0402-06T-XXX-R27-L14 | 75S | 265S | .018 | 21C | 1 |
| GUVV-T10GD-L | R100-0402-06T-XXX-R27-L14 | 75S | 265S | .018 | 21C | 1 |
| GUVV-T20GD-U | R197-0403-01T-XXX-R27-L14 | 01S | 93S | .018 | 50-2 | 2 |
| GUVV-T20GH | R197-0403-01T-XXX-R27-L14 | 01S | 93S | .018 | 50-2 | 2 |
| GVBL-T10GD | R100-0402-06T-XXX-R27-L14 | 75S | 265S | .018 | 21C | 1 |
| GVBL-T11GD | R100-0402-06T-XXX-R27-L14 | 75S | 265S | .018 | 21C | 1 |
| GVGR-T10GD | R100-0402-06T-XXX-R27-L14 | 74S | 265S | .018 | 21C | 1 |

Top View Shown Units: in [mm]

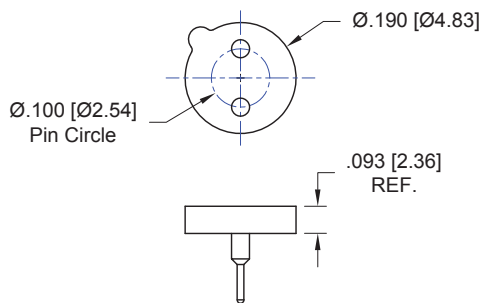


Fig. 21C

Thru-Hole: R100-0402-06T-75S-R27-L14
Surface Mount: R100-0402-06T-265S-R27-L14

Genicom Sockets Continued

Top View Shown
Units: in [mm]

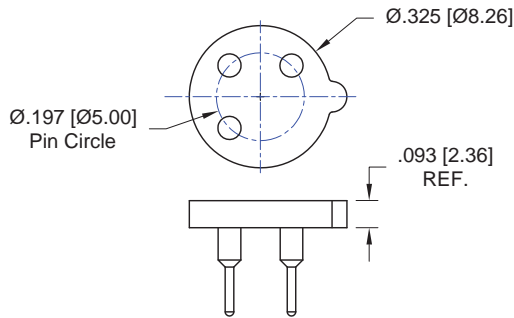
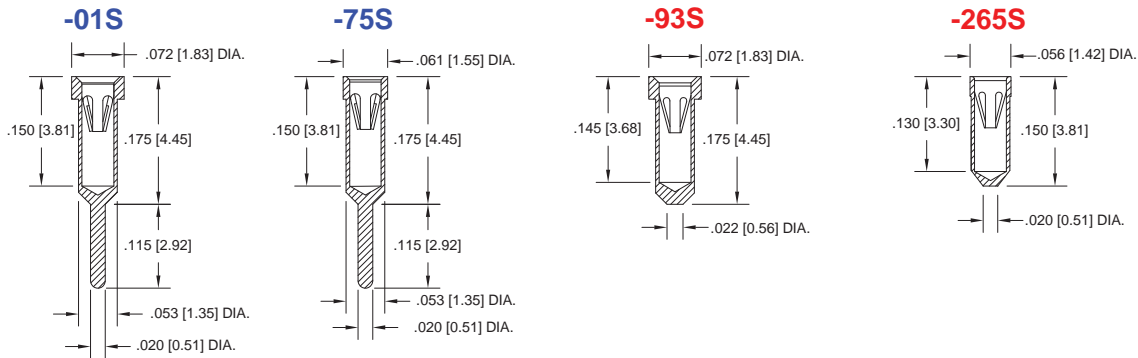


Fig. 50-2

Thru-Hole: R197-0403-01T-01S-R27-L14

Surface Mount: R197-0403-01T-93S-R27-L14

Socket Terminal Details
Cross Section View Shown Units: in [mm]



Material:

Insulator: Hi-Temp UL 94V-0
Terminal: Brass, per ASTM-B16
Contact: BeCu, Per ASTM-B194

Plating: RoHS COMPLIANT

R27 TERMINAL: GOLD / CONTACT: GOLD

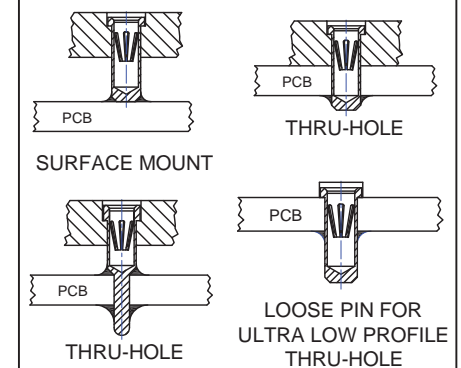
R17 TERMINAL: TIN / CONTACT: GOLD

OTHER PLATINGS AVAILABLE

Terminal Acceptance and Forces

| Thru Hole Terminals | | | | Surface Mount Terminals | | | |
|---------------------|----------------------|-----------------|------------------|-------------------------|----------------------|-----------------|------------------|
| Thru Hole Terminal | Accepts Pin Diameter | Insertion Force | Withdrawal Force | Surface Mount Terminal | Accepts Pin Diameter | Insertion Force | Withdrawal Force |
| -75S | Ø.018 [Ø0.46] | 9.0 oz Avg. | 2.0 oz Min | -265S | Ø.018 [Ø0.46] | 9.0 oz Avg. | 2.0 oz Min |
| -01S | Ø.018 [Ø0.46] | 9.0 oz Avg. | 2.0 oz Min | -93S | Ø.018 [Ø0.46] | 9.0 oz Avg. | 2.0 oz Min |

MOUNTING OPTIONS



©Copyright 2011 Andon Electronics Corporation. All Rights Reserved. This material is protected under US and other copyrights and may not be copied, sold, or redistributed in any form without written permission of Andon Electronics Corporation. Copyrights and trademarks are property of their respective companies. We reserve the right to change specifications without notice. Andon makes no warranty, expressed or implied, as to the suitability of the sockets for the intended purpose.

"ANDON PROPRIETARY INFORMATION"

RoHS Compliant

*Sockets are not drawn to scale GENICOM 08/31/2011



Electro Optical Components, Inc.

5460 Skylane Boulevard, Santa Rosa, CA 95403

Phone: (707) 568-1642 • FAX: (707) 568-1652

www.eoc-inc.com