

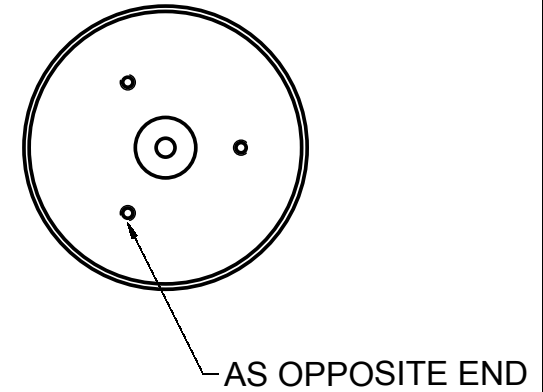
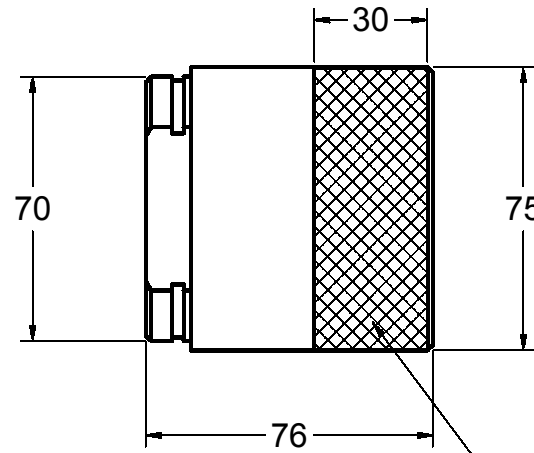
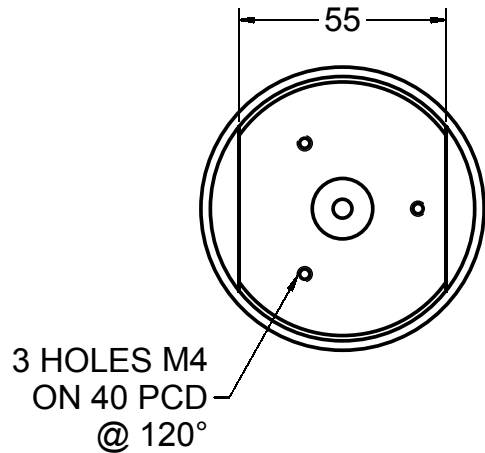


Electro Optical Components, Inc.

5460 Skylane Boulevard, Santa Rosa, CA 95403

Toll Free: 855-EOC-6300

www.eoc-inc.com | info@eoc-inc.com



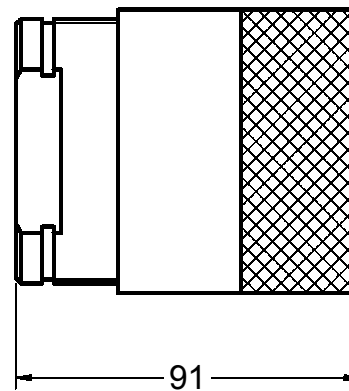
HOUSING MATERIAL: ALUMINIUM ALLOY
FINISH: BLACK ANODISED

COMPONENT SHOWN AT APPROXIMATE
EXTREMES OF ADJUSTMENT

DRAWING FOR INFORMATION PURPOSES ONLY
DOES NOT FORM A PART OF ANY SPECIFICATION
IMPLIED OR OTHERWISE

DESIGN SUBJECT TO CHANGE WITHOUT NOTICE

DO NOT SCALE DRAWING



LEYSOP

FOI 5/711 FARADAY ROTATOR
INTERFACE DIAGRAM

Scale
1:2



Drawn
S. PAYNE

Drawing No.
33a

Approved
P. FRANKS

Dims.
mm

Issue
1

Tolerances Unless
Otherwise Stated

Date
06/06/02

±0.1