



Four Channel Thermopile Detector TS4x200B-A-S1.5

Thermopile quad-detector based on thin film technology with narrow band filters for gas analysis.

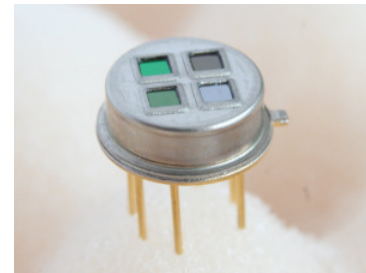
Active Area	4 x (1.2 x 1.2)	mm ²
Aperture	4 x (1.5 x 1.5)	mm ²
Number of Thermocouples per Channel	200	
Time Constant $t_{(0-63\%)}^1$	typ. 30	ms
DC Output Voltage ¹	typ. 5.5	mV
DC Sensitivity ¹	typ. 100	V/W
Temperature Coefficient of Sensitivity ²	typ. -0.4	%/K
Noise Voltage ³	typ. 33	nV/Hz ^{1/2}
Noise Equivalent Power NEP ¹	typ. 0.33	nW/Hz ^{1/2}
Specific Detectivity D* ¹	typ. 3.6 x 10 ⁸	cmHz ^{1/2} /W
Resistance of Thermopile ³	65 ± 15	kΩ
Temperature Coefficient of Resistance ²	typ. -0.03	%/K
Thermistor	1 - PTC Ni1000 2 - NTC 30k 3 - NTC 100k Technical specifications see document "thermistors".	
Filling Gas ⁴	N ₂ / Kr	
Filters	All MHE standard narrow band pass filters can be combined. Customized filters on request. For more information please see document "infrared filters".	
Operation Temperature	-20 ... +70	°C
Mass	1	g
Housing	T039 (modified)	

¹ on air without windows, Blackbody T=500 K; E=38 W/m²

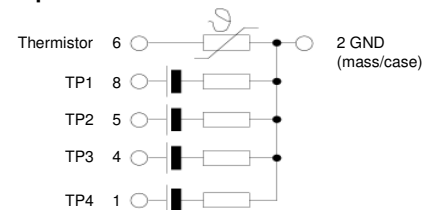
² in temperature range from +25 to +70 °C

³ at T_{amb}=25 °C

⁴ in case of Kr-filling increase of DC Output Voltage, DC Sensitivity, Specific Detectivity and Time Constant by the factor 1.8. Decrease of NEP by the same factor. Other gases on customer's request.



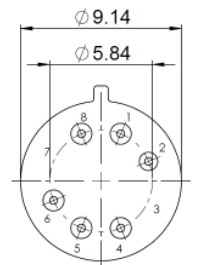
Equivalent Circuit



Bottom View

Pin Assignment:

- Pin 1 Output TP4
- Pin 2 Mass (GND)
- Pin 4 Output TP3
- Pin 5 Output TP2
- Pin 6 Thermistor
- Pin 8 Output TP1

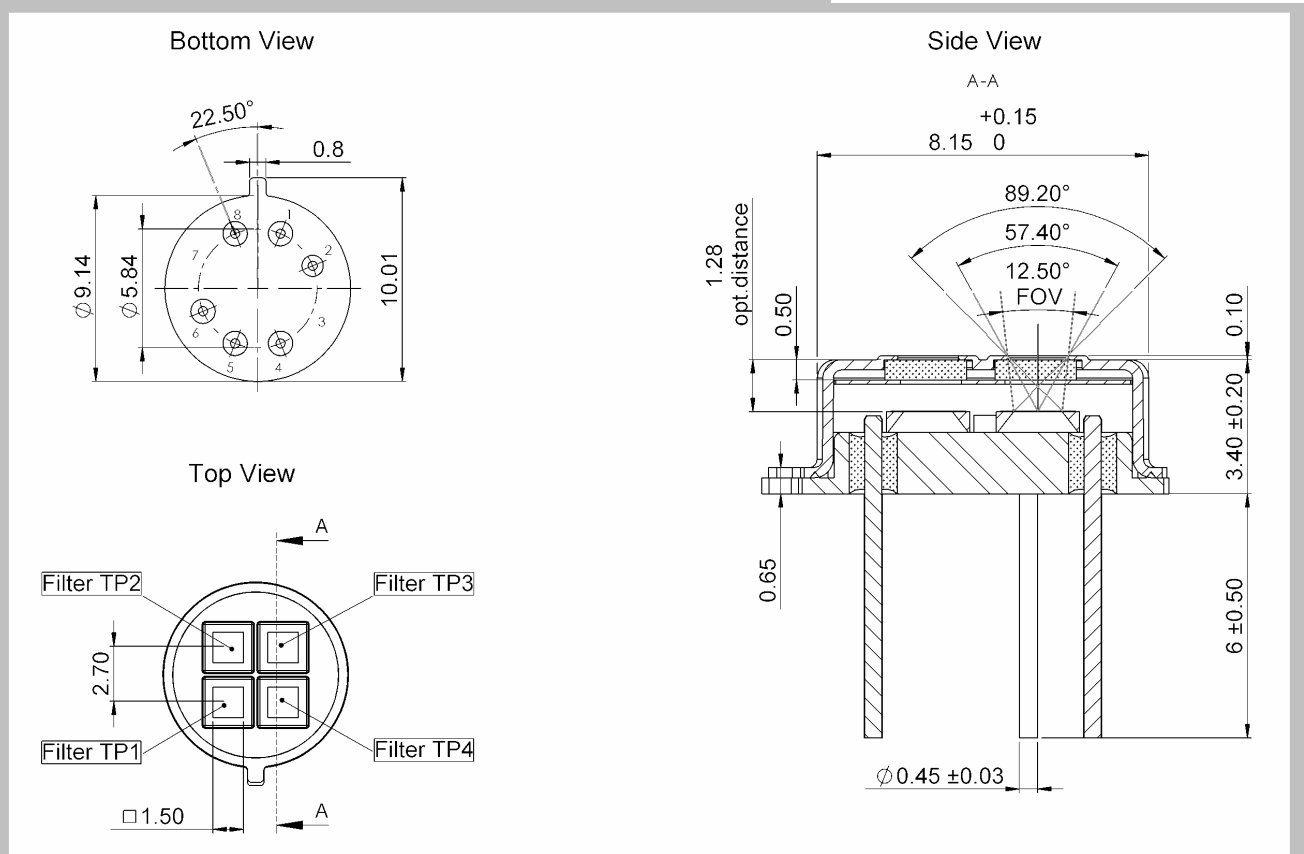


Ordering Information:

TS4x200B-A-S1.5 - Thermistor (F) - Backfill Gas (GG) - Filters (H/H/H/H)

f.e. TS4x200B-A-S1.5-1-Kr- E1/F1/G1/D1

Housing T039 package



Optional parts:

IR-Source JSIR 350 - Fast IR emitter based on thin film technology
Art.-Nr. 6351.01-3.01

IR-Source JSIR 450 - Broadband IR emitters high performance for heavily absorbing media
Art.-Nr. 6350.01-3.01