



# Electro Optical Components, Inc.

5460 Skylane Boulevard, Santa Rosa, CA 95403

Toll Free: 855-EOC-6300

[www.eoc-inc.com](http://www.eoc-inc.com) | [info@eoc-inc.com](mailto:info@eoc-inc.com)



## Sockets



RoHS Compliant  
ISO 9001  
Certified

MICRO-HYBRID ELECTRONIC GmbH							
Micro Hybrid Electronic GmbH Model Number	Andon Part Number Replace "XXX" with Terminal Type	Terminal Type		Pin Ø [in]	Figure Number	Page Number	
		Thru-Hole	Surface Mount				
JSIR350-22	R200-0403-02T-XXX-R27-L14	01S	93S	.018	3	2	
JSIR350-22-R	R200-0403-02T-XXX-R27-L14	01S	93S	.018	3	2	
JSIR350-22-SMD	687-28-SM-G10-L14-X	-	-	-	10	3	
JSIR350-4-AL-C-D5.8-0-0	R200-0403-04T-XXX-R27-L14	01S	93S	.018	5	2	
JSIR350-4-AL-R-D6.0-0-0	R200-0403-04T-XXX-R27-L14	01S	93S	.018	5	2	
JSIR350-4-AL-R-D6.0-2-A1-I	R200-0403-04T-XXX-R27-L14	01S	93S	.018	5	2	
JSIR350-5-AL-C-D2.55-0-0	R100-0403-02T-XXX-R27-L14	75S	265S	.018	1	1	
JSIR450	R200-0402-01T-XXX-R27-L14	01S	93S	.018	2	1	
JSIR440-R	R200-0402-01T-XXX-R27-L14	01S	93S	.018	2	1	
PS1x1C2-A-S1.5	R200-0404-01T-XXX-R27-L14	01S	93S	.018	6	2	
PS1x1C8-A-S1.5	R200-0404-01T-XXX-R27-L14	01S	93S	.018	6	2	
PS1x1U2-A-S1.5	R200-0403-02T-XXX-R27-L14	01S	93S	.018	3	2	
PS1x1U8-A-S1.5	R200-0403-02T-XXX-R27-L14	01S	93S	.018	3	2	
PS1x3C2-A-D3.7	R200-0404-01T-XXX-R27-L14	01S	93S	.018	6	2	
PS1x3C10-A-D3.7	R200-0404-01T-XXX-R27-L14	01S	93S	.018	6	2	
PS1x3U2-A-D3.7	R200-0403-02T-XXX-R27-L14	01S	93S	.018	3	2	
PS1x3U10-A-D3.7	R200-0403-02T-XXX-R27-L14	01S	93S	.018	3	2	
PS1x4V1-A-S1.5	R200-0403-02T-XXX-R27-L14	01S	93S	.018	3	2	
PS2x1C2-A-S1.5	R200-0805-01T-XXX-R27-L14	75S	265S	.018	7	2	
PS2x1C8-A-S1.5	R200-0805-01T-XXX-R27-L14	75S	265S	.018	7	2	
PS2x1U2-A-S1.5	R200-0404-01T-XXX-R27-L14	01S	93S	.018	6	2	
PS2x1U8-A-S1.5	R200-0404-01T-XXX-R27-L14	01S	93S	.018	6	2	
PS2x4V1-A-S1.5	R200-0404-01T-XXX-R27-L14	01S	93S	.018	6	2	
PS4x2C1-A-S1.4	R200-0808-01T-XXX-R27-L14	75S	265S	.018	9	2	
TS1x80B-A-D0.48	R200-0404-01T-XXX-R27-L14	01S	93S	.018	6	2	
TS1x80B-A-D0.75	R200-0403-03T-XXX-R27-L14	01S	93S	.018	4	2	
TS1x80B-A-D0.75-...-180	R200-0403-03T-XXX-R27-L14	01S	93S	.018	4	2	
TS1x200B-A-D3.55	R200-0403-04T-XXX-R27-L14	01S	93S	.018	5	2	
TS1x200B-B-D2.4	R100-0403-02T-XXX-R27-L14	75S	265S	.018	1	1	
TS2x200B-A-S1.5	R200-0404-01T-XXX-R27-L14	01S	93S	.018	6	2	
TS4x200B-A-S1.5	R230-0806-05T-XXX-R27-L14	211S	384S	.018	8	2	
TS4xQ200B-A-S1.5	R230-0806-05T-XXX-R27-L14	211S	384S	.018	8	2	
JSIR350-5-BL-C-D2.55-0-0	R100-0403-02T-XXX-R27-L14	75S	265S	.018	1	1	
JSIR350-4-CB	687-28-SM-G10-L14-X	-	-	-	10	3	
JSIR350-5-CB	687-28-SM-G10-L14-X	-	-	-	10	3	
JSIR350-6	687-28-SM-G10-L14-X	-	-	-	10	3	

### Top View Shown

Units: in [mm]

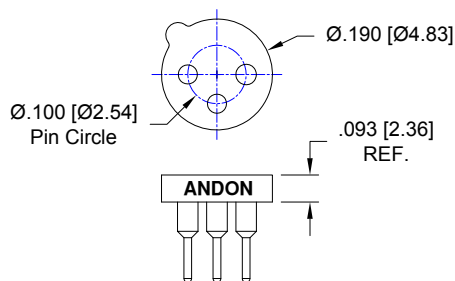


Fig. 01

Thru-Hole: R100-0403-02T-75S-R27-L14  
Surface Mount: R100-0403-02T-265S-R27-L14

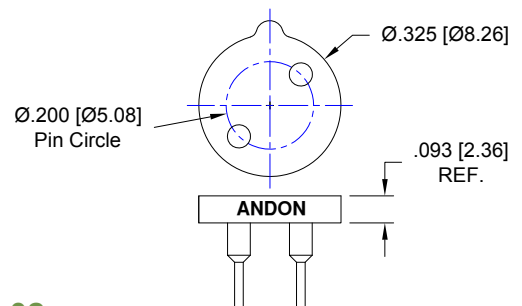
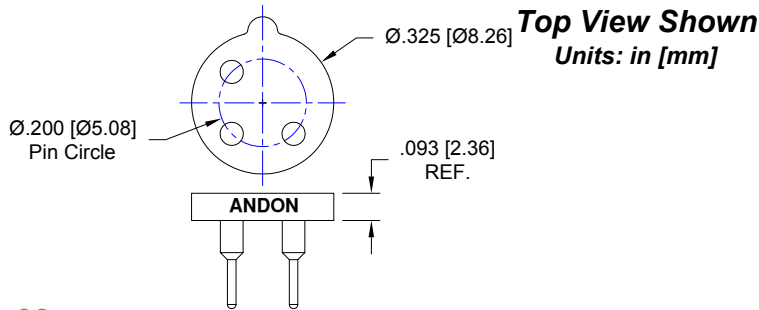


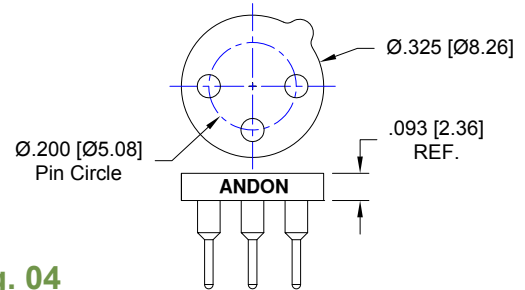
Fig. 02

Thru-Hole: R200-0402-01T-01S-R27-L14  
Surface Mount: R200-0402-01T-93S-R27-L14

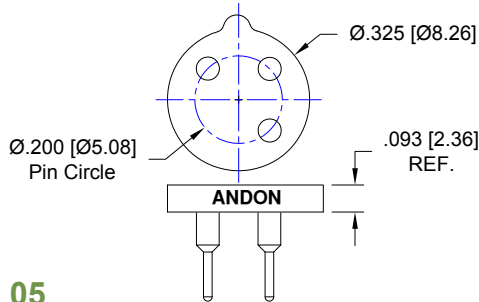
**MICRO-HYBRID ELECTRONIC GmbH Continued**



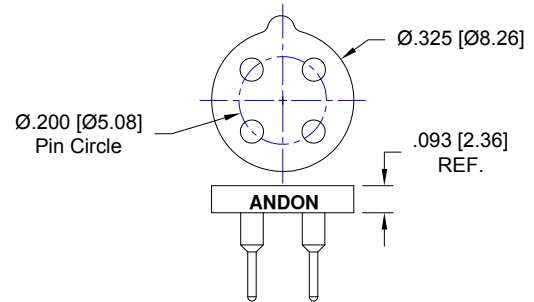
**Fig. 03**  
Thru-Hole: R200-0403-02T-01S-R27-L14  
Surface Mount: R200-0403-02T-93S-R27-L14



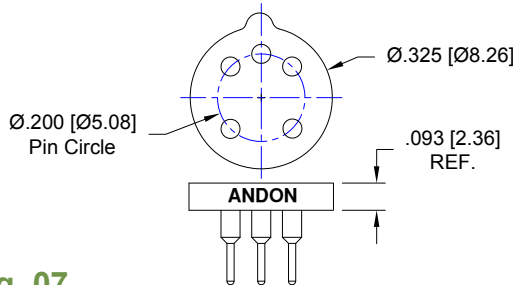
**Fig. 04**  
Thru-Hole: R200-0403-03T-01S-R27-L14  
Surface Mount: R200-0403-03T-93S-R27-L14



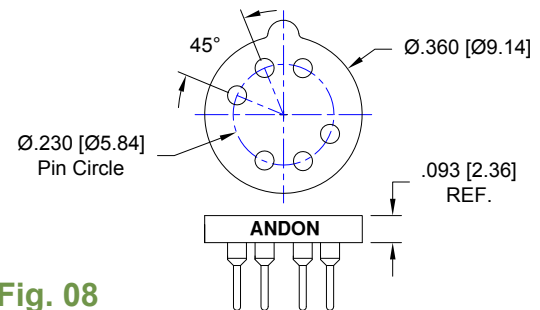
**Fig. 05**  
Thru-Hole: R200-0403-04T-01S-R27-L14  
Surface Mount: R200-0403-04T-93S-R27-L14



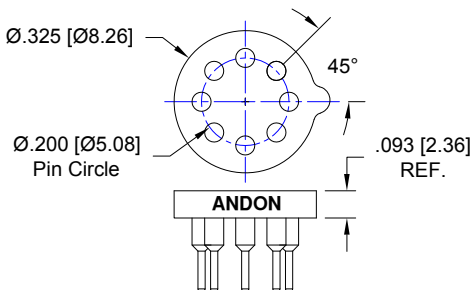
**Fig. 06**  
Thru-Hole: R200-0404-01T-01S-R27-L14  
Surface Mount: R200-0404-01T-93S-R27-L14



**Fig. 07**  
Thru-Hole: R200-0805-01T-75S-R27-L14  
Surface Mount: R200-0805-01T-265S-R27-L14

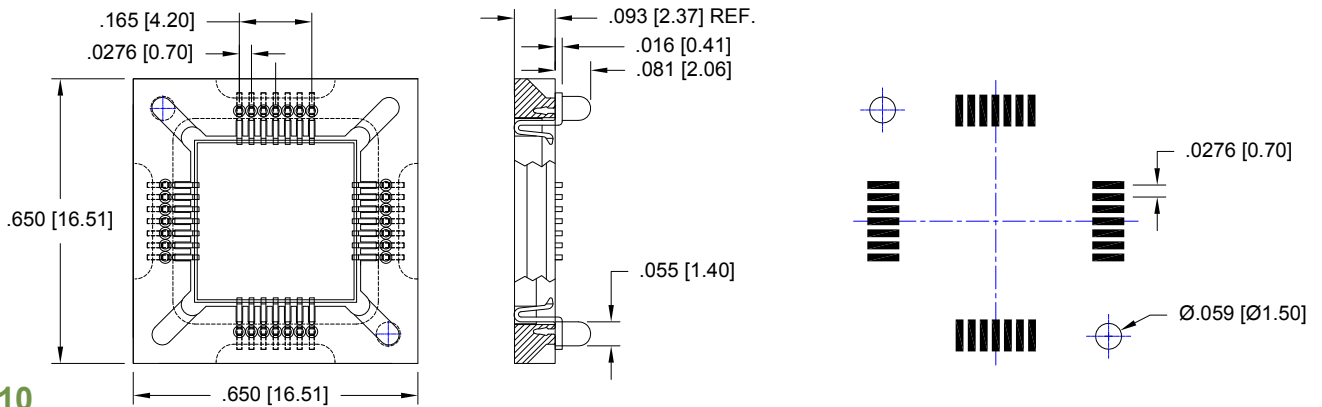


**Fig. 08**  
Thru-Hole: R230-0806-05T-211S-R27-L14  
Surface Mount: R230-0806-05T-384S-R27-L14



**Fig. 9**  
Thru-Hole: R200-0808-01T-75S-R27-L14  
Surface Mount: R200-0808-01T-265S-R27-L14

**MICRO-HYBRID ELECTRONIC GmbH Continued**

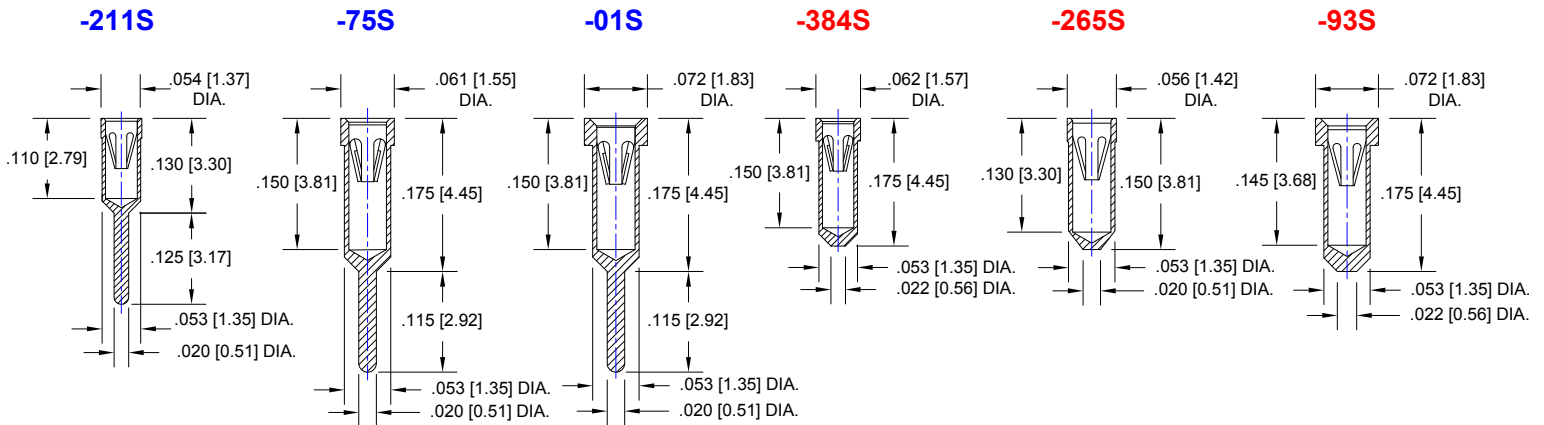


**Fig. 10**

**Surface Mount: 687-28-SM-G10-L14-X**

Replace "-X" with "-1" for index pins or "-0" for none

**Socket Terminal Details**  
*Cross Section View Shown Units: in [mm]*



**Technical Information**

**Material:**

Insulator: Hi-Temp UL 94V-O  
Terminal: Brass, per ASTM-B16  
Contact: BeCu, Per ASTM-B194

**Plating: RoHS COMPLIANT**

**R27 TERMINAL: GOLD / CONTACT: GOLD**

**R17 TERMINAL: TIN / CONTACT: GOLD**

**OTHER PLATINGS AVAILABLE**

**Terminal Acceptance and Forces**

Thru Hole Terminals				Surface Mount Terminals			
Thru Hole Terminal	Accepts Pin Diameter	Insertion Force	Withdrawal Force	Surface Mount Terminal	Accepts Pin Diameter	Insertion Force	Withdrawal Force
-211S	Ø.018 [Ø0.46]	9.0 oz Avg.	2.0 oz Min	-384S	Ø.018 [Ø0.46]	9.0 oz Avg.	2.0 oz Min
-75S	Ø.018 [Ø1.46]	9.0 oz Avg.	2.0 oz Min	-265S	Ø.018 [Ø0.46]	9.0 oz Avg.	2.0 oz Min
-01S	Ø.018 [Ø0.46]	9.0 oz Avg.	2.0 oz Min	-93S	Ø.018 [Ø0.46]	9.0 oz Avg.	2.0 oz Min

**MOUNTING OPTIONS**

