

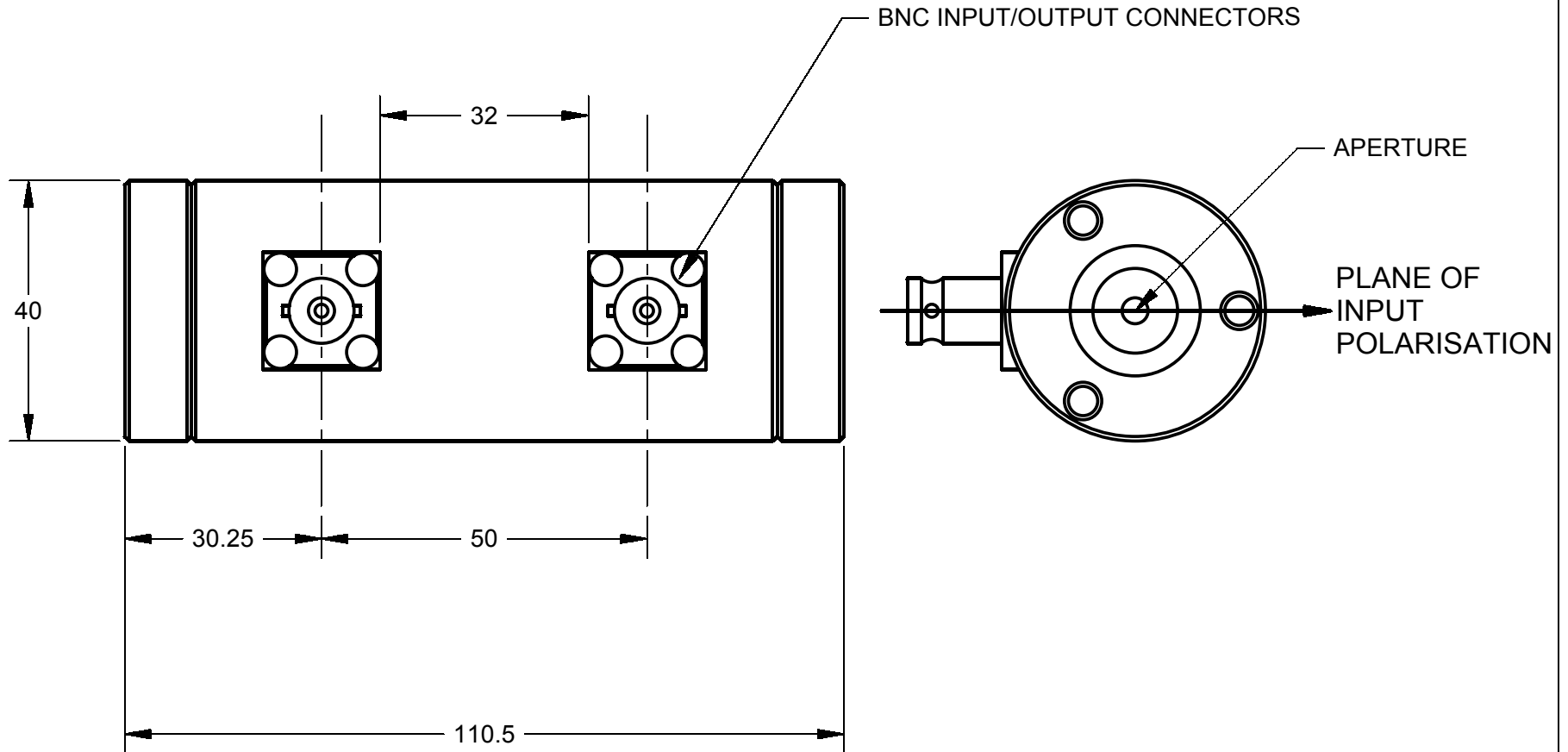


Electro Optical Components, Inc.

5460 Skylane Boulevard, Santa Rosa, CA 95403

Toll Free: 855-EOC-6300

www.eoc-inc.com | info@eoc-inc.com



LEYSOP

EM200A/K/L INTERFACE DIAGRAM

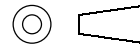
Scale
1:1

Drawn

Approved

Issue
1

Date
23/10/01



Drawing No.
69 PART 1

Dims.
mm

Tolerances Unless
Otherwise Stated ± 0.1