

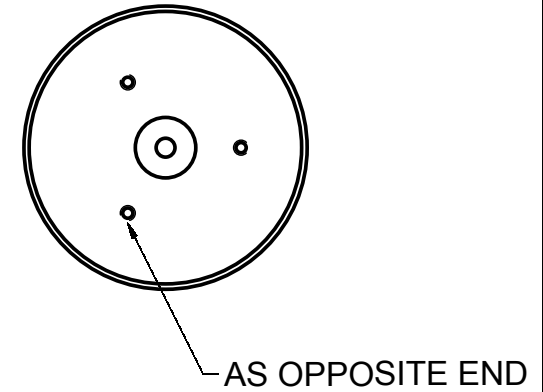
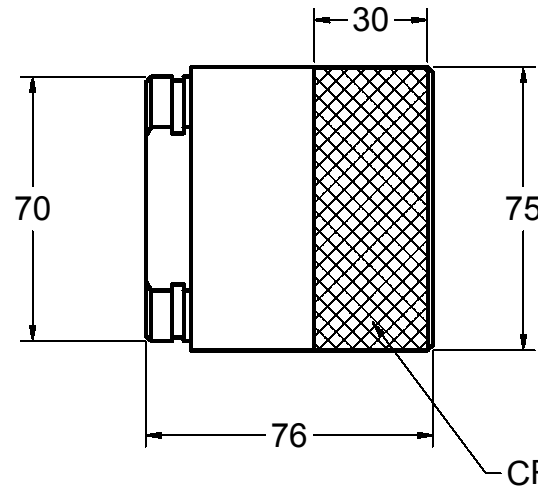
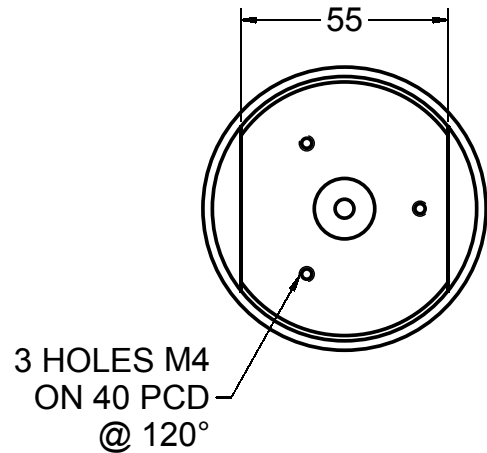


# Electro Optical Components, Inc.

5460 Skylane Boulevard, Santa Rosa, CA 95403

Toll Free: 855-EOC-6300

[www.eoc-inc.com](http://www.eoc-inc.com) | [info@eoc-inc.com](mailto:info@eoc-inc.com)



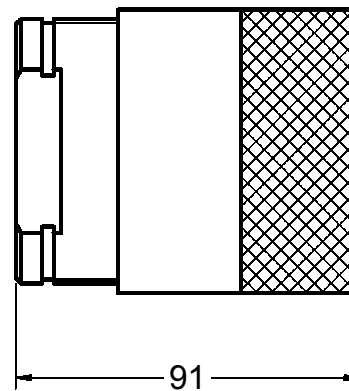
HOUSING MATERIAL: ALUMINIUM ALLOY  
FINISH: BLACK ANODISED

COMPONENT SHOWN AT APPROXIMATE  
EXTREMES OF ADJUSTMENT

DRAWING FOR INFORMATION PURPOSES ONLY  
DOES NOT FORM A PART OF ANY SPECIFICATION  
IMPLIED OR OTHERWISE

DESIGN SUBJECT TO CHANGE WITHOUT NOTICE

DO NOT SCALE DRAWING



**LEYSOP**

FOI 5/711 FARADAY ROTATOR  
INTERFACE DIAGRAM

Scale  
1:2



Drawn  
S. PAYNE

Drawing No.  
33a

Approved  
P. FRANKS

Dims.  
mm

Issue  
1

Tolerances Unless  
Otherwise Stated

Date  
06/06/02

±0.1

