

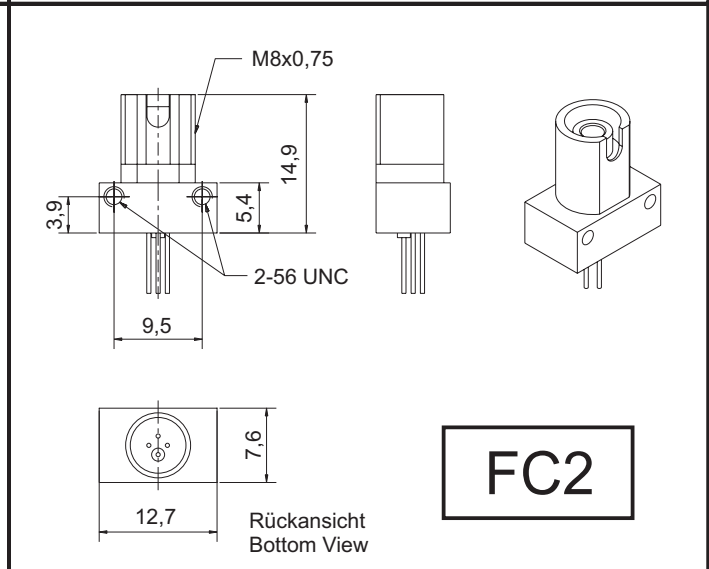
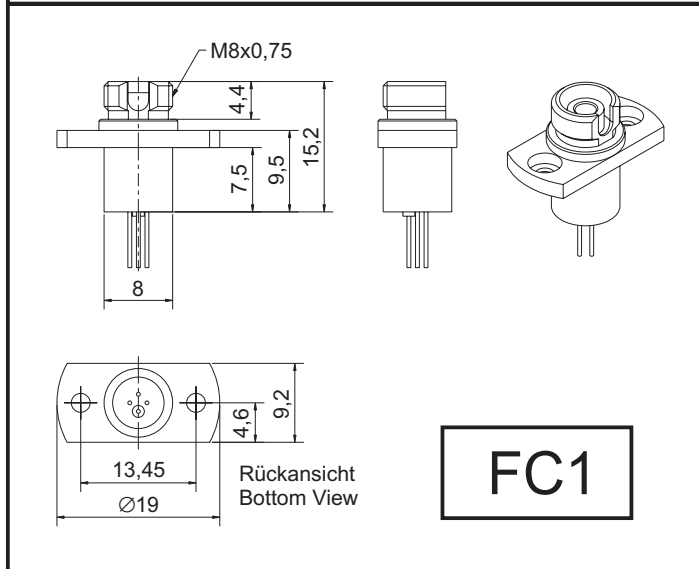
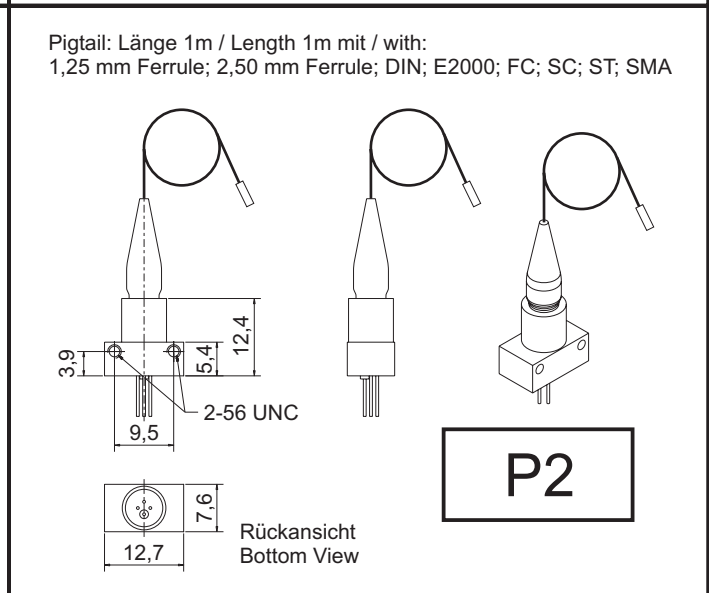
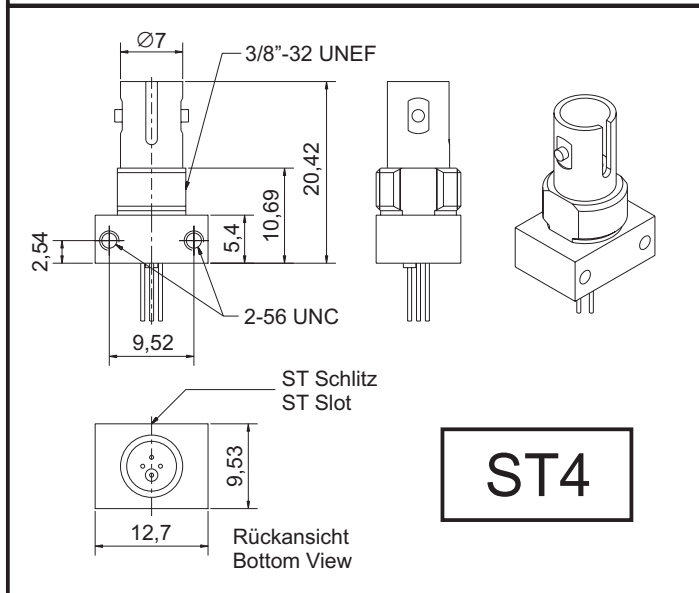
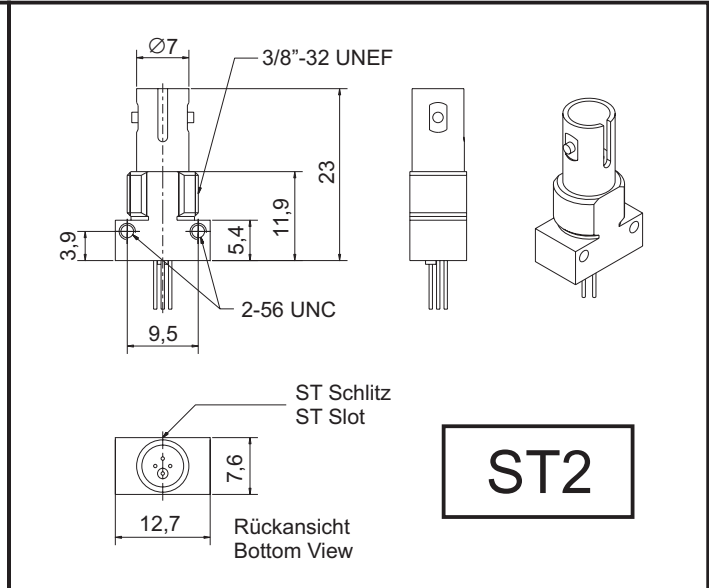
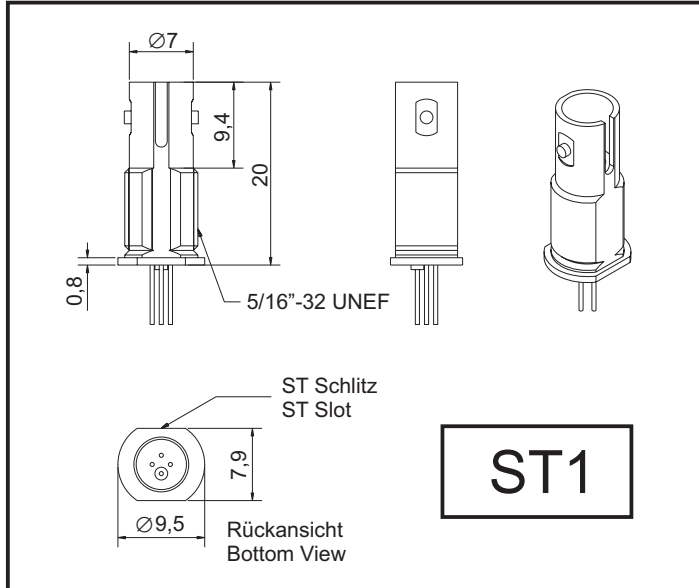


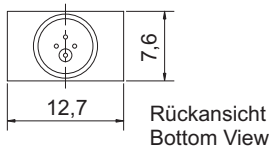
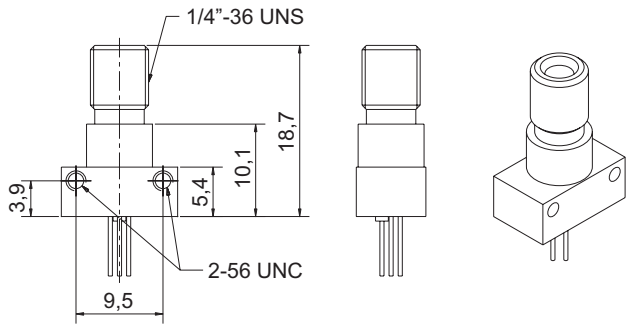
Electro Optical Components, Inc.

5460 Skylane Boulevard, Santa Rosa, CA 95403

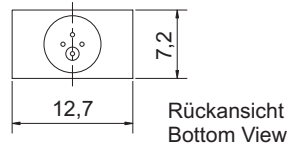
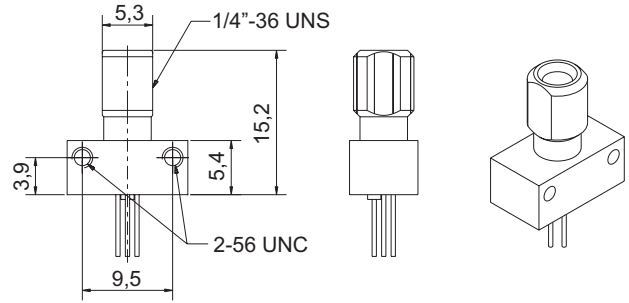
Toll Free: 855-EOC-6300

www.eoc-inc.com | info@eoc-inc.com

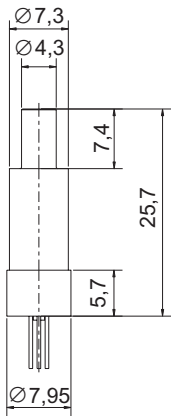




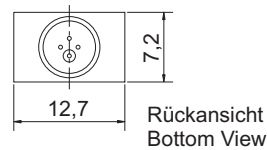
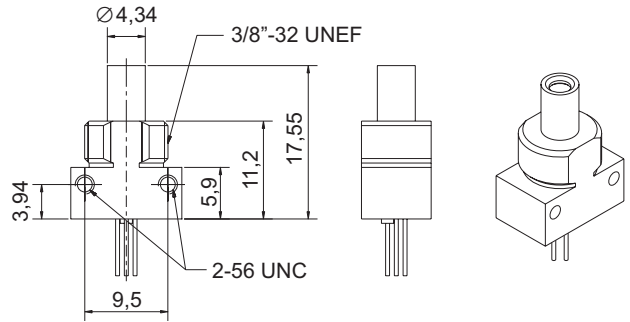
SMA1



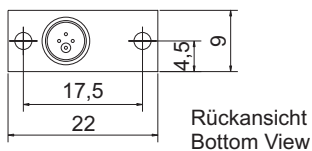
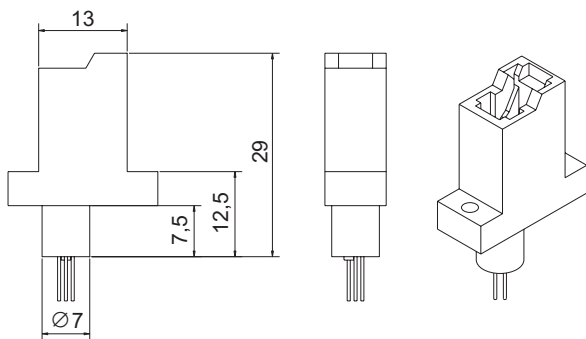
SMA2



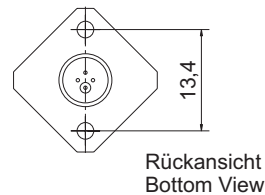
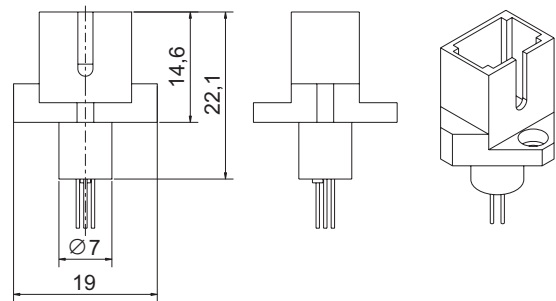
U2



U3



LC



SC