



Electro Optical Components, Inc.

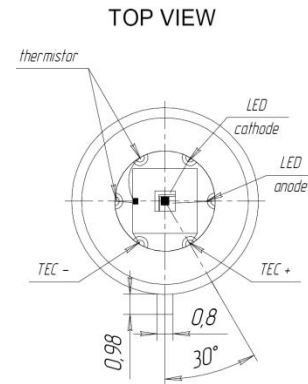
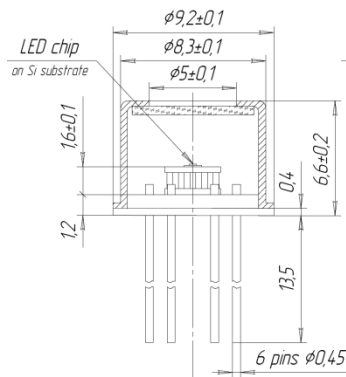
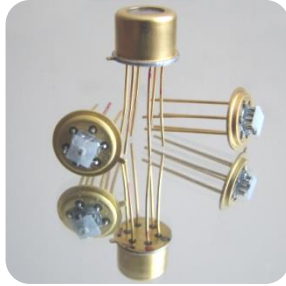
5464 Skylane Boulevard, Suite D, Santa Rosa, CA 95403

Toll Free: 855-EOC-6300

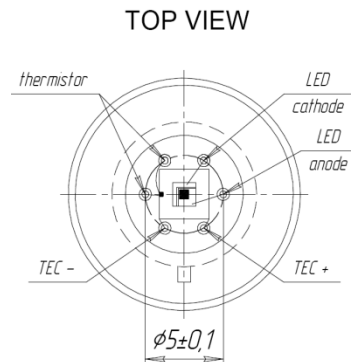
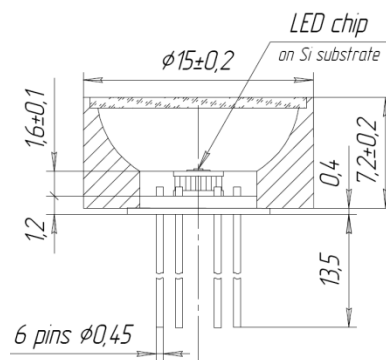
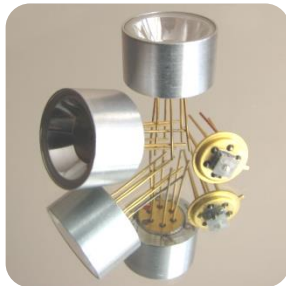
www.eoc-inc.com | info@eoc-inc.com



TO5-TEM

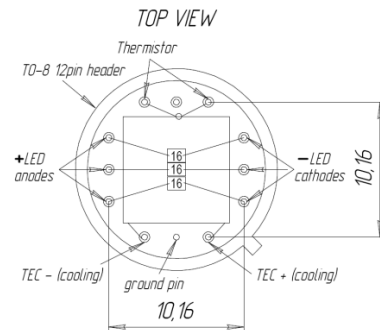
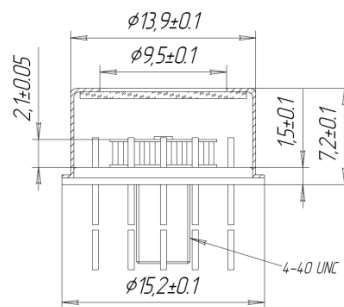


TO5-TEM-R



- Small packages with $3.2 \times 3.2 \text{ mm}^2$ thermocooler surface open for mounting
- Header material – kovar, finish – gold/plating; thermocooler ceramics – Al_2O_3
- The number of lead pins is 6 or 9
- Built-in **thermoelectric module (TEM)** – thermocooler and thermoresistor – provides LED chip temperature adjustment and stabilisation in the range -5 to $+65 \text{ }^\circ\text{C}$
- Equipped with a **cap** (with a glass window) or a **parabolic reflector** (with a glass window)
Cap protects LED device from damage
Parabolic reflector protects LED device from damage and provides at reduction of the radiation divergence

TO8-TEM



- Compact packages with $8 \times 8 \text{ mm}^2$ thermocooler surface open for mounting
- Header material – kovar, finish – gold/plating, thermocooler ceramics – Al_2O_3
- The number of lead pins is 12 or 16
- Built-in thermoelectric module (TEM) – thermocooler and thermoresistor – provides LED chip temperature adjustment and stabilisation in the range -5 to $+65 \text{ }^\circ\text{C}$
- Equipped with a **cap** with a glass window that protects LED device from damage