



Electro Optical Components, Inc.

5464 Skylane Boulevard, Suite D, Santa Rosa, CA 95403

Toll Free: 855-EOC-6300

www.eoc-inc.com | info@eoc-inc.com

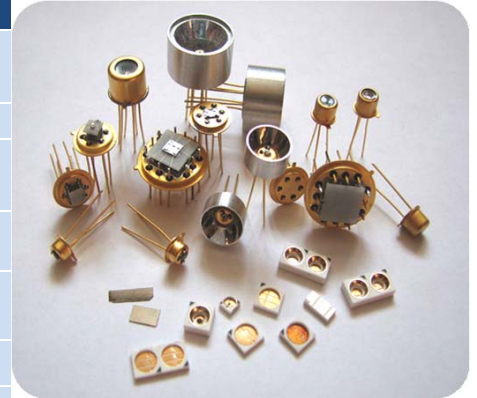


Mid-Infrared Light Emitting Diode

1,61 - 1,69 μm

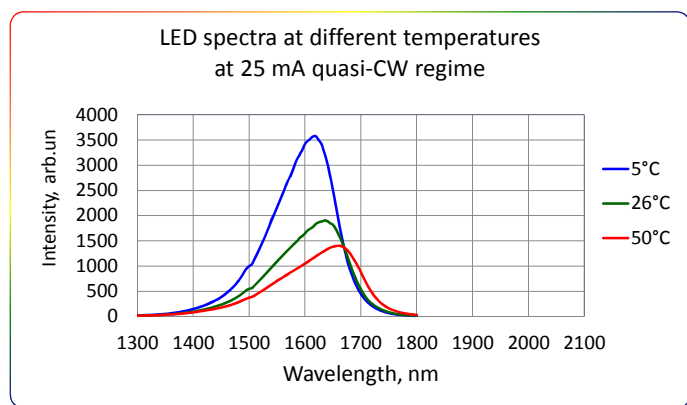
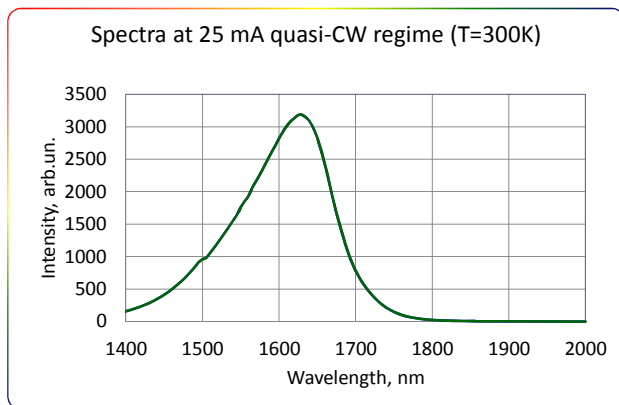
Lms16LED series

Parameters	Units	Conditions	Ratings		
			Min	Typ	Max
Peak emission wavelength	μm	T=300 K, $I_f = 25$ mA quasi-CW (50% duty cycle), f=0,5 kHz	1,61	1,65	1,69
FWHM of the emission band	nm			100	
Forward Voltage	V	T=300 K, quasi-CW (50% duty cycle), f=0,5 kHz	0,8		1,1
Radiant power	mW	T=300 K, $I_f = 20$ mA quasi-CW (50% duty cycle), f=0,5 kHz	1		2
Radiant power	mW	T=300 K, $I_f = 100$ mA quasi-CW (50% duty cycle), f=0,5 kHz	4		8
Radiant power	mW	T=300 K, $I_f = 20$ mA DC mode	0,55	0,75	
Switching time (t_r, t_f)	ns	$I_f = 20$ mA DC		25;45	

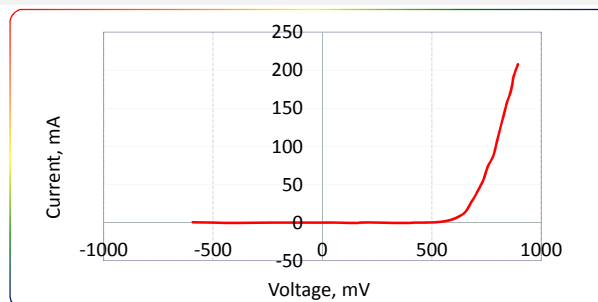


Packages	Model
TO-18 with a cap with a glass window	Lms16LED
TO-18 with a parabolic reflector without a window	Lms16LED-R
TO-18 with a parabolic reflector with a quartz window	Lms16LED-RW
TO-5 with a built-in thermocooler and thermoresistor, covered by a cap with a quartz window	Lms16LED-TEM
TO-5 with a built-in thermocooler and thermoresistor, covered by a parabolic reflector with a quartz window	Lms16LED-TEM-R
SMD 5x5 mm	Lms16LED-CS5

Spectra at 25 mA quasi-CW regime (T=300K)

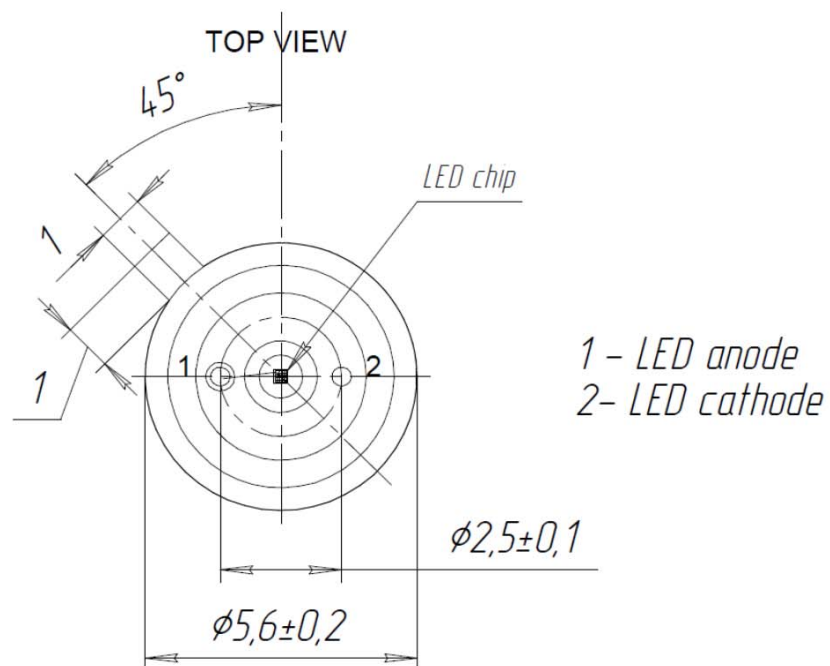
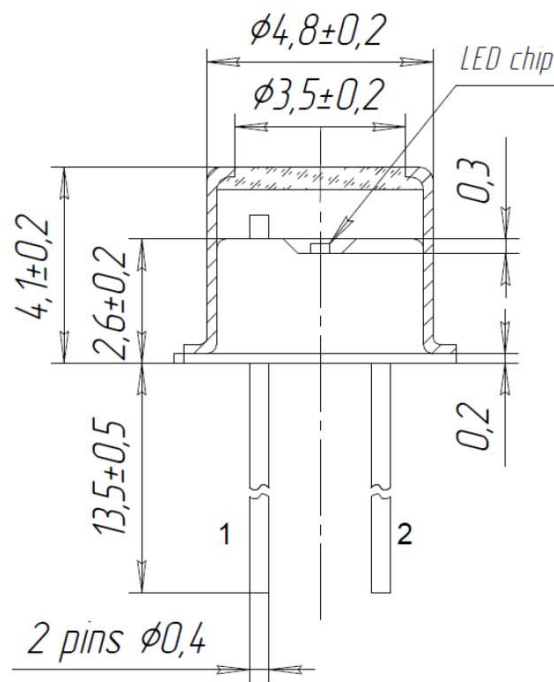


LED Typical Current-Voltage Characteristics (T=300K)

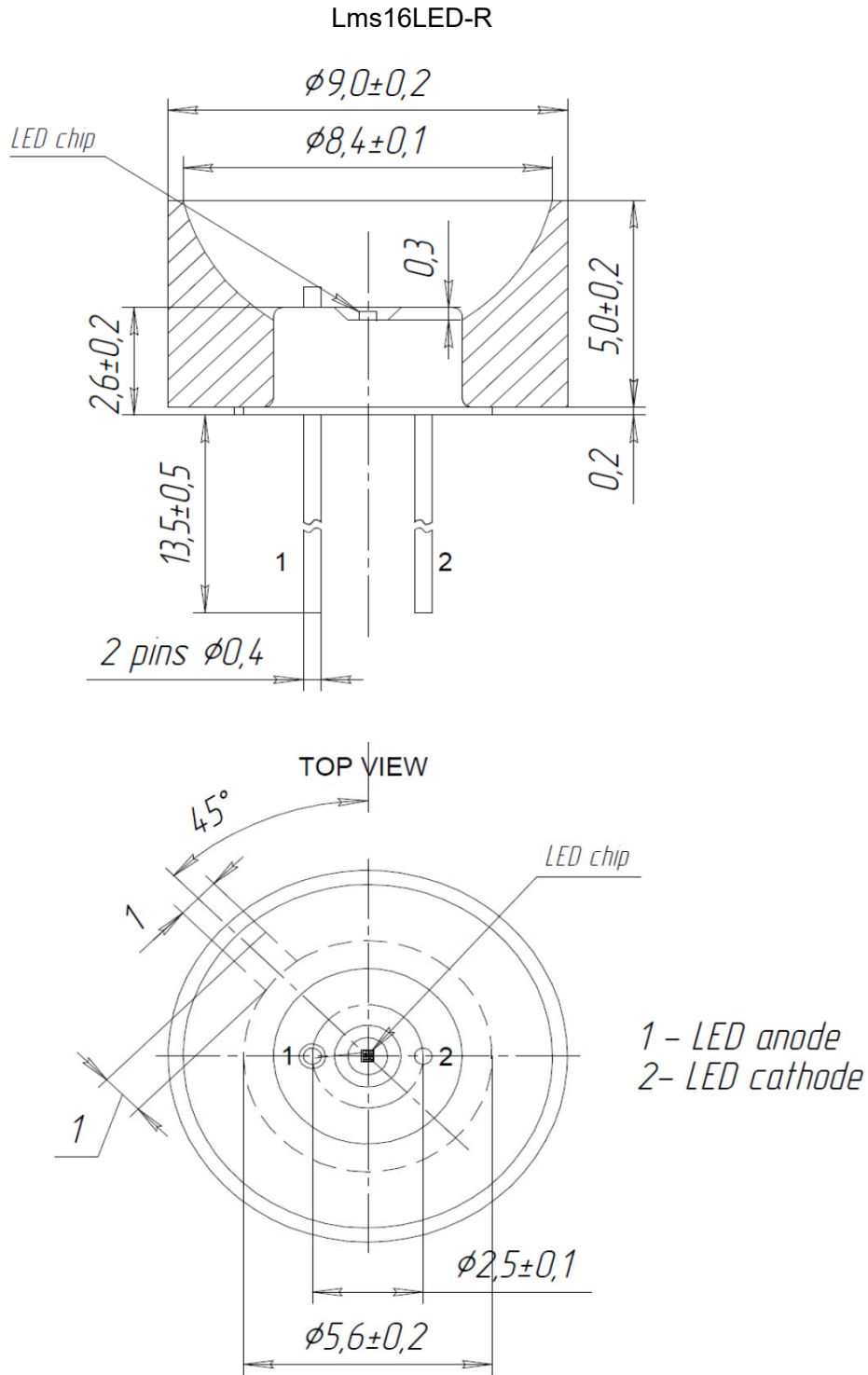


Technical Drawings

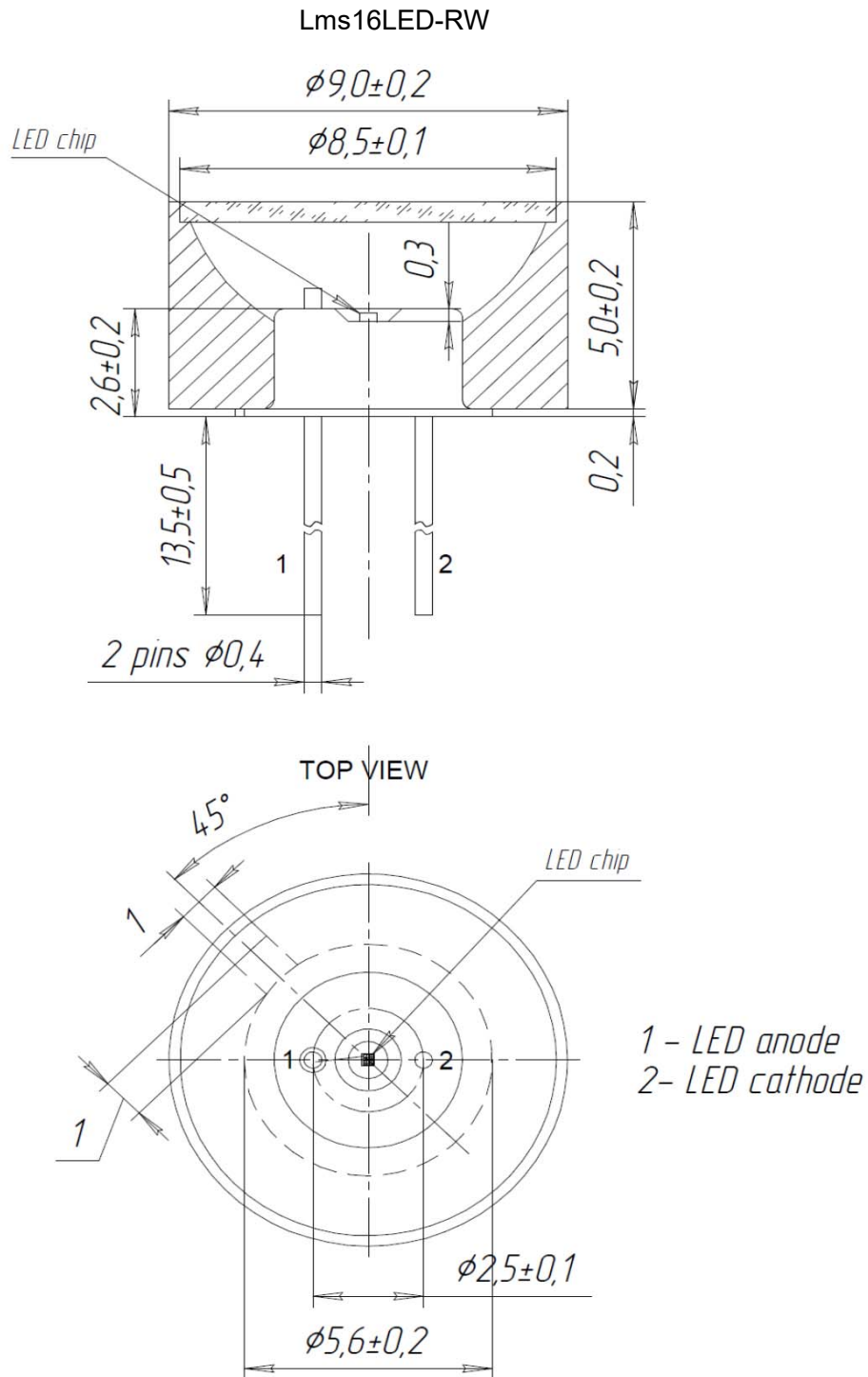
Lms16LED



Technical Drawings

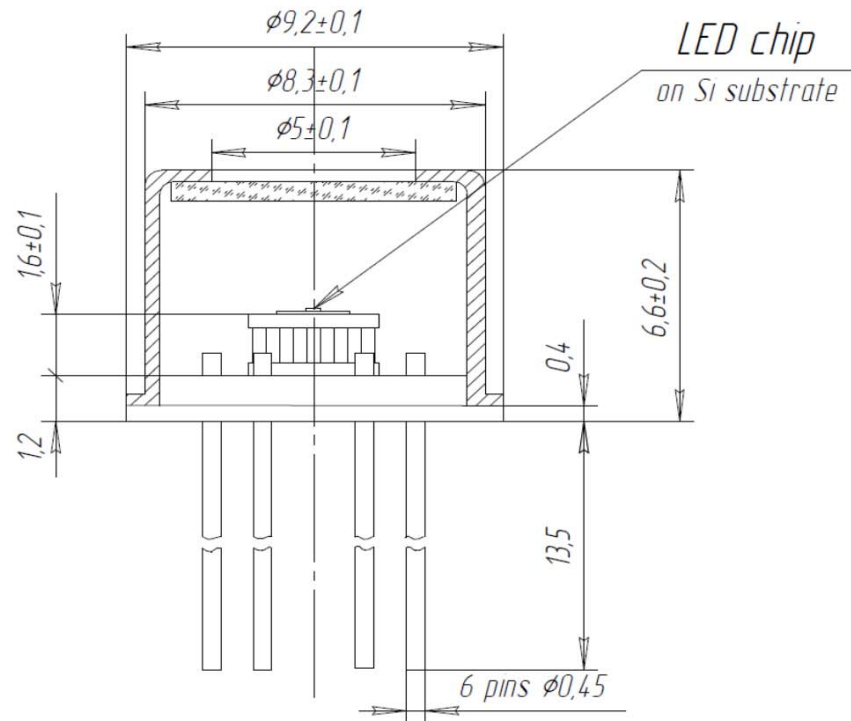


Technical Drawings

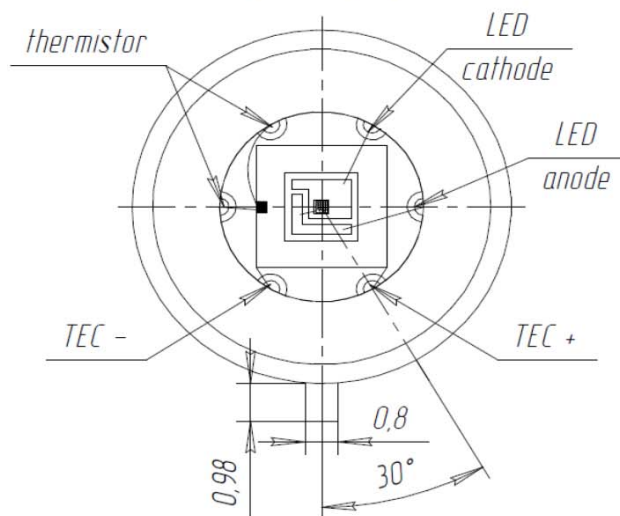


Technical Drawings

Lms16LED-TEM

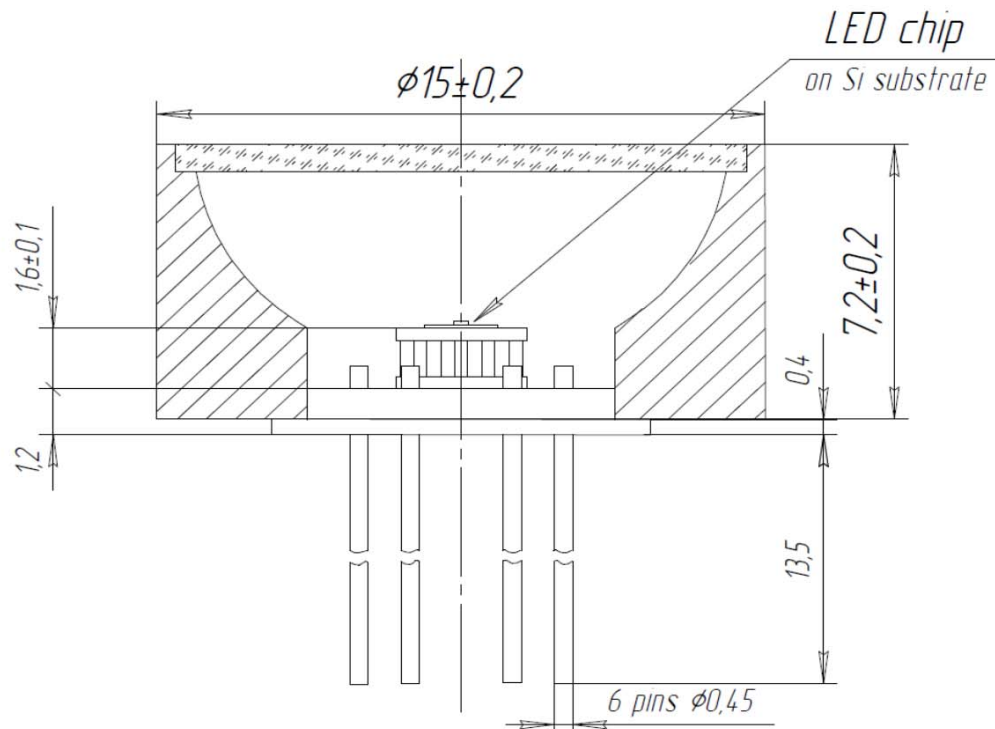


TOP VIEW

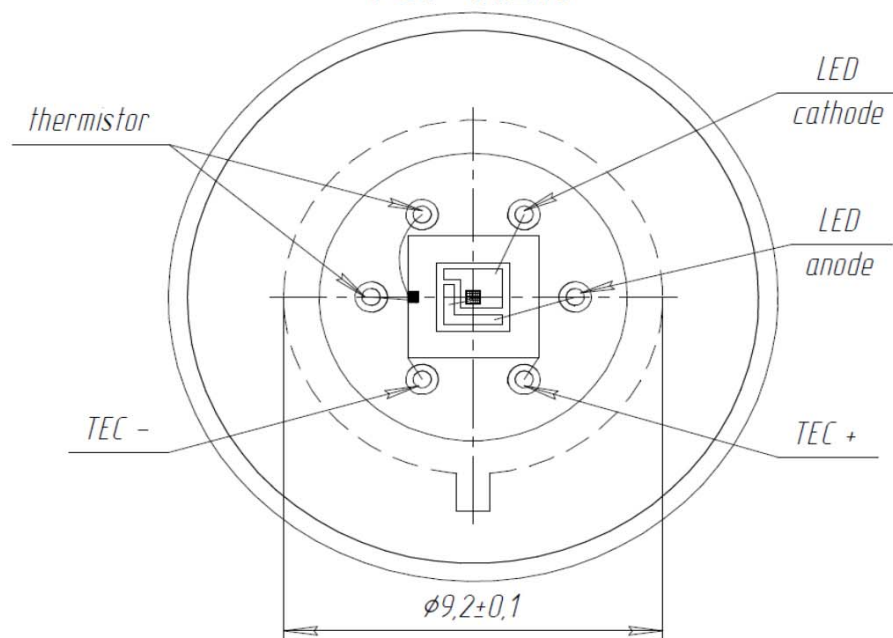


Technical Drawings

Lms16LED-TEM-R



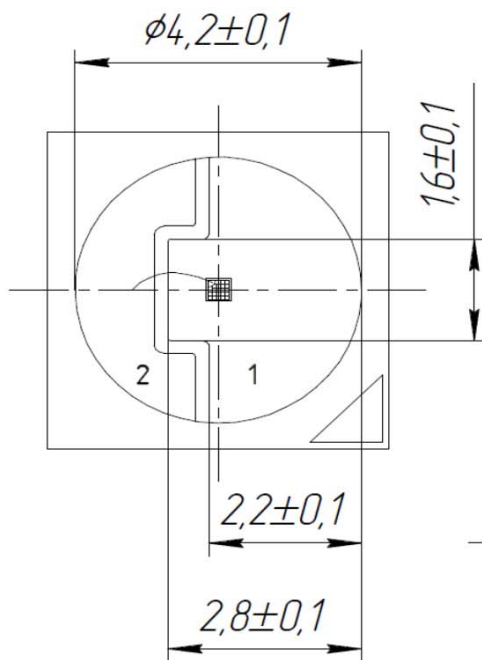
TOP VIEW



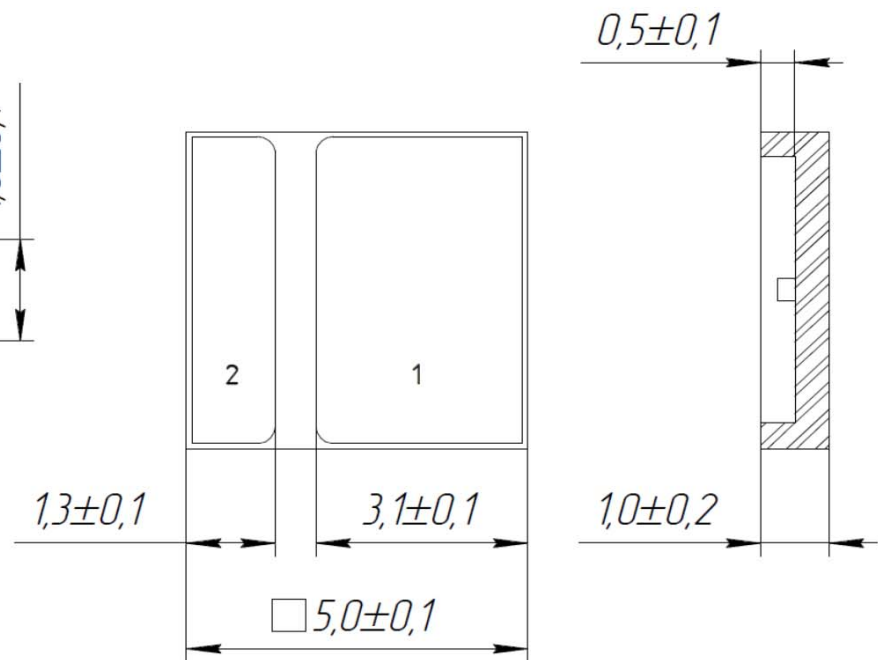
Technical Drawings

Lms16LED-CS5

TOP VIEW



BOTTOM VIEW



1 - LED cathode
2 - LED anode