



Electro Optical Components, Inc.

5464 Skylane Boulevard, Suite D, Santa Rosa, CA 95403

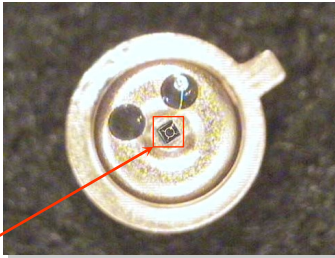
Toll Free: 855-EOC-6300

www.eoc-inc.com | info@eoc-inc.com



Features

- High reliability
- Superior linearity
- Easy-to-use detector/amplifier modules are also available
- Parabolic reflector



Photodiode CHIP

Description

Photodiode **PD48-05-WS-PR** is a model of photodetector with wide spectral range (**WS**) for detection of radiation in the Middle Infrared (Mid-IR) spectral range from 800 to 4800 nm operating at room temperature.

Photodiode is disposed inside the standard 5.5 mm TO-18 package with parabolic reflector (**PR**).

Photosensitive area of **PD48-05-WS-PR** is 0.45×0.45 mm². High speed of response makes it possible for detection of modulated radiation of laser diodes (LDs) and light-emitting diodes (LEDs). **PR** allows to increase detectivity of the photodiode by a factor of 10 in the case of parallel beam of radiation.

Related products: **PD48-05-WS-PR** can be used in optical pair with our **LED36, LED37, LED38, LED39, LED41, LED43, LED46**.

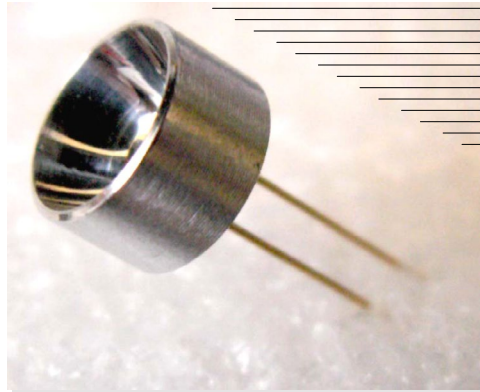
General characteristics

WS - wide spectrum

Package	Parameter	Symbol	Value	Unit
TO-18 with PR	Chip size (photosensitive area)	A	0.45×0.45	mm ²
	Weight	m	0.65	g
	Operating temperature	T _{opr}	- 20...+ 40	°C
	Window material		no or sapphire glass	
	Soldering temperature	T _s	+ 230	°C
	Storage temperature	T _{stg}	- 55...+ 60	°C
	Maximum reverse bias voltage	V _b	- 0.5	V
	Size	D	9.0	mm
	H	18.5		

PHOTODIODE PD48-05-WS-PR

1.0 - 4.8 μm



Applications

- Environment measurements
- Gas analysis (CH₄, CO, CO₂)
- Infrared spectrophotometry
- Laser detection
- Analytical instruments

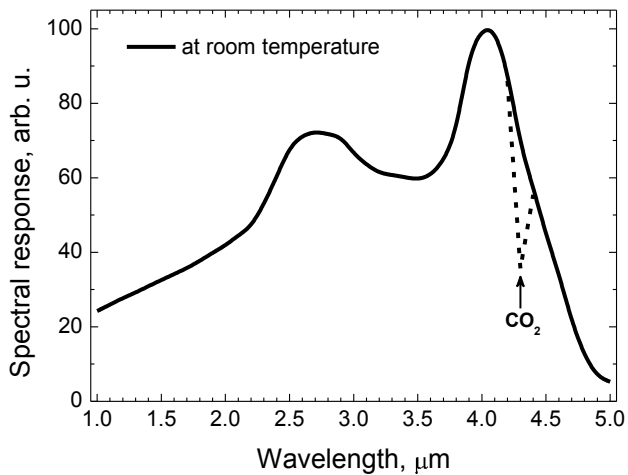
Accessories (optional)

- Sapphire glass window
- Amplifier AM-07M

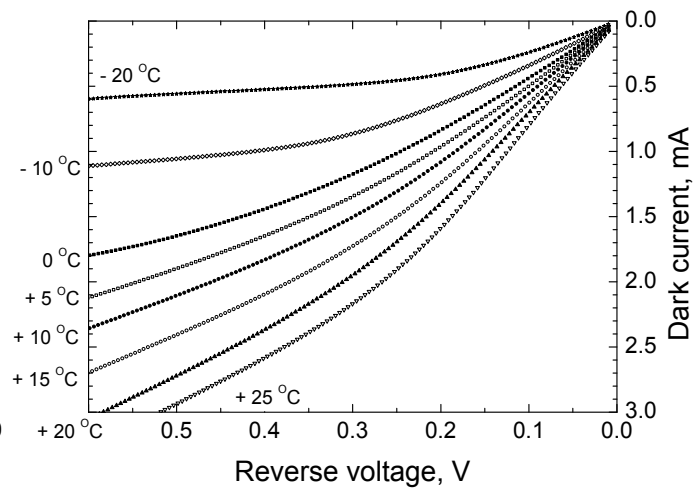
Electrical and optical characteristics

Parameter	Symbol	Condition $T \approx +20\text{ }^\circ\text{C}$	Min.	Typ.	Max.	Unit
Spectral sensitivity range	λ	at level 10%	0.8 - 4.8			μm
Peak sensitivity wavelength	λ_p	at level 90%	3.9 - 4.2			μm
Photo sensitivity	S	at λ_p	0.6	0.7	0.8	A/W
Detectivity	D^*	at λ_p	$5 \cdot 10^8$	$7 \cdot 10^8$	$9 \cdot 10^8$	$\text{cm} \cdot \text{Hz}^{1/2} \cdot \text{W}^{-1}$
Dark current	I_d	$V_b = -0.1\text{ V}$	1.0	1.5	3.0	mA
Rise time	t_r	$V_b = 0\text{ V}, R_L = 50\ \Omega$	≤ 20			ns
Fall time	t_f					
Capacitance	C	$V_b = 0\text{ V}, f = 1\text{ MHz}$	40	55	60	pF
Shunt resistance	R_0	$V_b \approx \pm [5 - 10]\text{ mV}$	50	80	150	Ω
Noise equivalent power	NEP	at λ_p	-	-	-	$\text{W} \cdot \text{Hz}^{-1/2}$

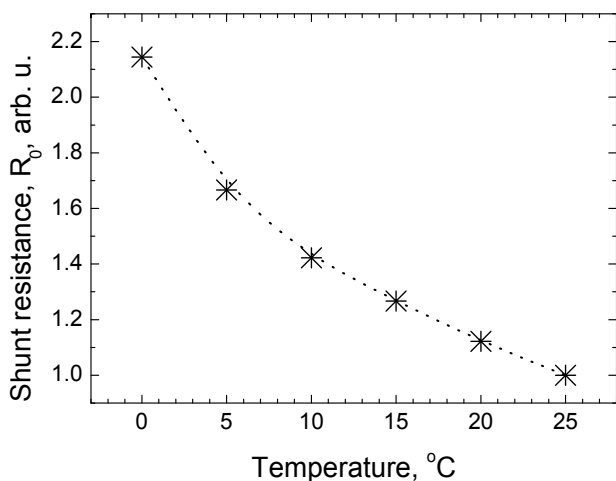
Spectral response



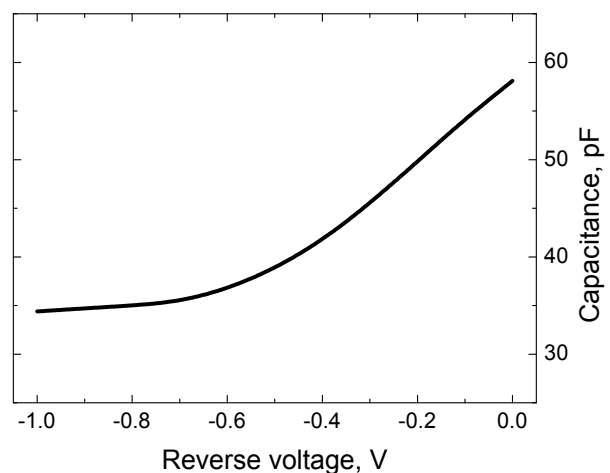
Dark current vs. reverse voltage



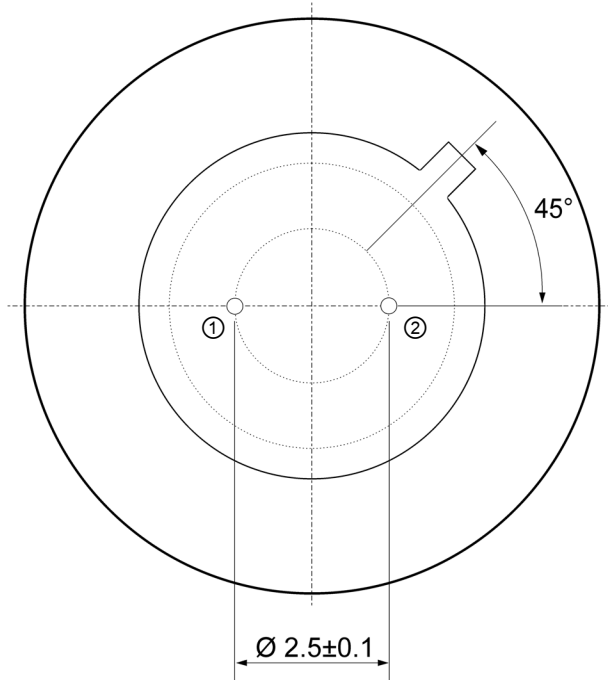
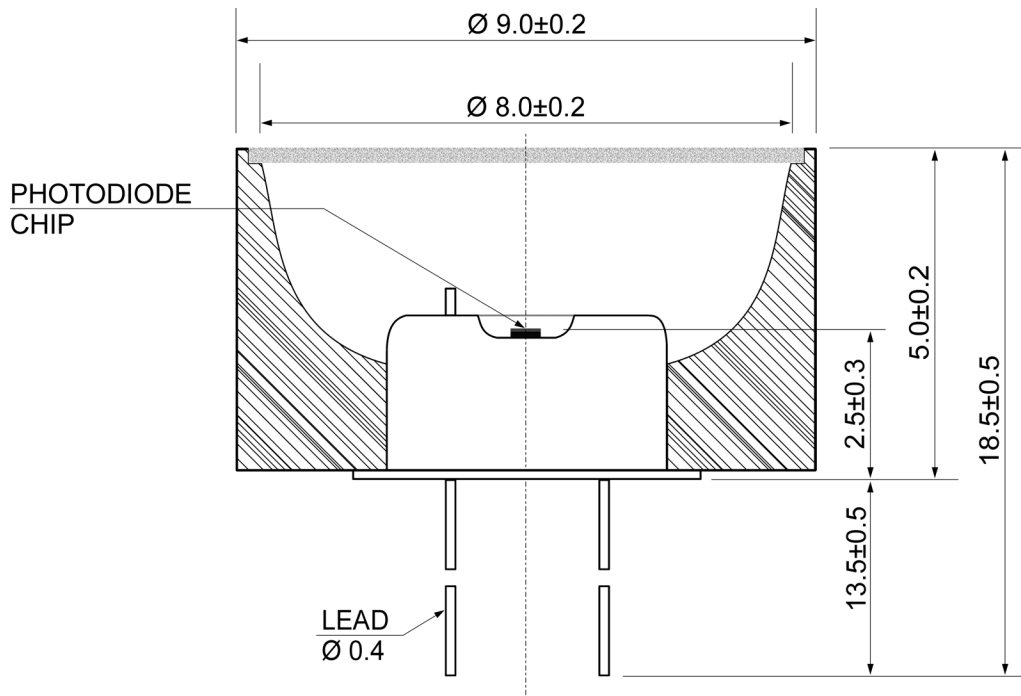
Shunt resistance vs. temperature



Capacitance vs. reverse voltage



▼ TO-18 package with PR dimensions (unit: mm)



Pin	Description
①	Detector (cathode)*
②	Detector (anode)*

*Special order: the pin polarity can be changed.