



Electro Optical Components, Inc.

5460 Skylane Boulevard, Santa Rosa, CA 95403

Toll Free: 855-EOC-6300

www.eoc-inc.com | info@eoc-inc.com



Sockets



RoHS Compliant
ISO 9001
Certified

IFW GmbH Sockets						
IFW GmbH Sockets Model Number	Andon Part Number Replace "XXX" with Terminal Type	Terminal Type		Pin Ø [in]	Figure Number	Page Number
		Thru-Hole	Surface Mount			
EPD-365-0/2,5	R200-0402-02T-XXX-R27-L14	01S	93S	.018	53A	4
JEC 0,1	R200-0402-02T-XXX-R27-L14	01S	93S	.018	53A	4
JEC 0,1I	R200-0403-02T-XXX-R27-L14	01S	93S	.018	57T	4
JEC 0,1 IS	R100-0403-02N-XXX-R27-L14	75S	265S	.018	22N	3
JEC 0,1 ISS2	R100-0403-02N-XXX-R27-L14	75S	265S	.018	22N	3
JEC 0,1 ISZ	R100-0403-02N-XXX-R27-L14	75S	265S	.018	22N	3
JEC 0,1-4L	R200-0402-02T-XXX-R27-L14	01S	93S	.018	53A	4
JEC 0,1S	R100-0402-06T-XXX-R27-L14	75S	265S	.018	21C	3
JEC 0,1HT	R200-0402-02T-XXX-R27-L14	01S	93S	.018	53A	4
JEC 0,1SHT	R100-0402-06T-XXX-R27-L14	75S	265S	.018	21C	3
JEC 0,1SS	R100-0402-06T-XXX-R27-L14	75S	265S	.018	21C	3
JEC 0,1SSHT	R100-0402-06T-XXX-R27-L14	75S	265S	.018	21C	3
JEC 0,3	R200-0402-02T-XXX-R27-L14	01S	93S	.018	53A	4
JEC 0,3-4L	R200-0402-02T-XXX-R27-L14	01S	93S	.018	53A	4
JEC 0,3-4SHT	R100-0402-06T-XXX-R27-L14	75S	265S	.018	21C	3
JEC 0,3-4SSHT	R100-0402-06T-XXX-R27-L14	75S	265S	.018	21C	3
JEC 0,3HT	R200-0402-02T-XXX-R27-L14	01S	93S	.018	53A	4
JEC 0,3I	R200-0403-02T-XXX-R27-L14	01S	93S	.018	57T	4
JEC 0,3 E	R200-0402-02T-XXX-R27-L14	01S	93S	.018	53A	4
JEC 0,3 IS	R100-0403-02N-XXX-R27-L14	75S	265S	.018	22N	3
JEC 0,3 ISZ	R100-0403-02N-XXX-R27-L14	75S	265S	.018	22N	3
JEC 0,3S	R100-0402-06T-XXX-R27-L14	75S	265S	.018	21C	3
JEC 0,3SHT	R100-0402-06T-XXX-R27-L14	75S	265S	.018	21C	3
JEC 0,3SS	R100-0402-06T-XXX-R27-L14	75S	265S	.018	21C	3
JEC 1	R200-0402-02T-XXX-R27-L14	01S	93S	.018	53A	4
JEC 1/0,1 I-DE	R200-0404-01T-XXX-R27-L14	01S	93S	.018	62B	4
JEC 1 I-DE	R200-0403-02T-XXX-R27-L14	01S	93S	.018	57T	4
JEC 1 IS	R100-0403-02N-XXX-R27-L14	75S	265S	.018	22N	3
JEC 1 ISZ	R100-0403-02N-XXX-R27-L14	75S	265S	.018	22N	3
JEC 1HT	R200-0402-02T-XXX-R27-L14	01S	93S	.018	53A	4
JEC 1h	R200-0402-02T-XXX-R27-L14	01S	93S	.018	53A	4
JEC 1I	R200-0403-02T-XXX-R27-L14	01S	93S	.018	57T	4
JEC 1S	R100-0402-06T-XXX-R27-L14	75S	265S	.018	21C	3
JEC 1SHT	R100-0402-06T-XXX-R27-L14	75S	265S	.018	21C	3
JEC 1SS	R100-0402-06T-XXX-R27-L14	75S	265S	.018	21C	3
JEC 1SSHT	R100-0402-06T-XXX-R27-L14	75S	265S	.018	21C	3
JEC 4	R200-0402-02T-XXX-R27-L14	01S	93S	.018	53A	4
JEC 4HT	R200-0402-02T-XXX-R27-L14	01S	93S	.018	53A	4
JEC1,6	R200-0402-02T-XXX-R27-L14	01S	93S	.018	53A	4
JEC1,6I	R200-0403-02T-XXX-R27-L14	01S	93S	.018	57T	4
JEC5	R200-0402-02T-XXX-R27-L14	01S	93S	.018	53A	4
JEC5I	R200-0403-02T-XXX-R27-L14	01S	93S	.018	57T	4
JI 100 EI 8UV-T1H	F700-SP16-01-XXX-R27-L14	295V	439V	.030	252	4
JI 447L	R200-0404-01T-XXX-R27-L14	01S	93S	.018	62B	4
JI 448L	R200-0404-01T-XXX-R27-L14	01S	93S	.018	62B	4
JI 546	R200-0404-01T-XXX-R27-L14	01S	93S	.018	62B	4
JI 547	R200-0404-01T-XXX-R27-L14	01S	93S	.018	62B	4
JI 548	R200-0404-01T-XXX-R27-L14	01S	93S	.018	62B	4
JI 576	R200-0404-01T-XXX-R27-L14	01S	93S	.018	62B	4
JI 577	R200-0404-01T-XXX-R27-L14	01S	93S	.018	62B	4
JI 578	R200-0404-01T-XXX-R27-L14	01S	93S	.018	62B	4
JIC 117	R200-0404-01T-XXX-R27-L14	01S	93S	.018	62B	4
JIC 118	R200-0404-01T-XXX-R27-L14	01S	93S	.018	62B	4
JIC 119	R200-0404-01T-XXX-R27-L14	01S	93S	.018	62B	4
JIC 119-22	R200-0404-01T-XXX-R27-L14	01S	93S	.018	62B	4

IFW GmbH Sockets <i>Continued</i>						
IFW GmbH Sockets Model Number	Andon Part Number Replace "XXX" with Terminal Type	Terminal Type		Pin Ø [in]	Figure Number	Page Number
		Thru-Hole	Surface Mount			
JIC 119-22L	R200-0404-01T-XXX-R27-L14	01S	93S	.018	62B	4
JIC 127 B	R200-0404-01T-XXX-R27-L14	01S	93S	.018	62B	4
JIC 127 BC	R200-0404-01T-XXX-R27-L14	01S	93S	.018	62B	4
JIC 127 C	R200-0404-01T-XXX-R27-L14	01S	93S	.018	62B	4
JIC 128 B	R200-0404-01T-XXX-R27-L14	01S	93S	.018	62B	4
JIC 128 BC	R200-0404-01T-XXX-R27-L14	01S	93S	.018	62B	4
JIC 128 C	R200-0404-01T-XXX-R27-L14	01S	93S	.018	62B	4
JIC 129 B	R200-0404-01T-XXX-R27-L14	01S	93S	.018	62B	4
JIC 129 BC	R200-0404-01T-XXX-R27-L14	01S	93S	.018	62B	4
JIC 129 C	R200-0404-01T-XXX-R27-L14	01S	93S	.018	62B	4
JIC 129 L	R200-0404-01T-XXX-R27-L14	01S	93S	.018	62B	4
JIC 137	R200-0404-01T-XXX-R27-L14	01S	93S	.018	62B	4
JIC 137 A	R200-0404-01T-XXX-R27-L14	01S	93S	.018	62B	4
JIC 138	R200-0404-01T-XXX-R27-L14	01S	93S	.018	62B	4
JIC 138 A	R200-0404-01T-XXX-R27-L14	01S	93S	.018	62B	4
JIC 139	R200-0404-01T-XXX-R27-L14	01S	93S	.018	62B	4
JIC 139 A	R200-0404-01T-XXX-R27-L14	01S	93S	.018	62B	4
JIC 147 B	R200-0404-01T-XXX-R27-L14	01S	93S	.018	62B	4
JIC 147 BC	R200-0404-01T-XXX-R27-L14	01S	93S	.018	62B	4
JIC 147 C	R200-0404-01T-XXX-R27-L14	01S	93S	.018	62B	4
JIC 148 B	R200-0404-01T-XXX-R27-L14	01S	93S	.018	62B	4
JIC 148 BC	R200-0404-01T-XXX-R27-L14	01S	93S	.018	62B	4
JIC 148 C	R200-0404-01T-XXX-R27-L14	01S	93S	.018	62B	4
JIC 149	R200-0404-01T-XXX-R27-L14	01S	93S	.018	62B	4
JIC 149 B	R200-0404-01T-XXX-R27-L14	01S	93S	.018	62B	4
JIC 149 BC	R200-0404-01T-XXX-R27-L14	01S	93S	.018	62B	4
JIC 149 C	R200-0404-01T-XXX-R27-L14	01S	93S	.018	62B	4
JIC 149 L	R200-0404-01T-XXX-R27-L14	01S	93S	.018	62B	4
JIC 149 L-1	R200-0404-01T-XXX-R27-L14	01S	93S	.018	62B	4
JIC 157	R200-0404-01T-XXX-R27-L14	01S	93S	.018	62B	4
JIC 158	R200-0404-01T-XXX-R27-L14	01S	93S	.018	62B	4
JIC 159	R200-0404-01T-XXX-R27-L14	01S	93S	.018	62B	4
JIC 167 B	R200-0404-01T-XXX-R27-L14	01S	93S	.018	62B	4
JIC 167 BC	R200-0404-01T-XXX-R27-L14	01S	93S	.018	62B	4
JIC 168 B	R200-0404-01T-XXX-R27-L14	01S	93S	.018	62B	4
JIC 168 BC	R200-0404-01T-XXX-R27-L14	01S	93S	.018	62B	4
JIC 169 B	R200-0404-01T-XXX-R27-L14	01S	93S	.018	62B	4
JIC 169 BC	R200-0404-01T-XXX-R27-L14	01S	93S	.018	62B	4
JIC 317	R200-0404-01T-XXX-R27-L14	01S	93S	.018	62B	4
JIC 317 A	R200-0404-01T-XXX-R27-L14	01S	93S	.018	62B	4
JIC 318	R200-0404-01T-XXX-R27-L14	01S	93S	.018	62B	4
JIC 318 A	R200-0404-01T-XXX-R27-L14	01S	93S	.018	62B	4
JIC 319	R200-0404-01T-XXX-R27-L14	01S	93S	.018	62B	4
JIC 319 A	R200-0404-01T-XXX-R27-L14	01S	93S	.018	62B	4
JIC 327 B	R200-0404-01T-XXX-R27-L14	01S	93S	.018	62B	4
JIC 327 BC	R200-0404-01T-XXX-R27-L14	01S	93S	.018	62B	4
JIC 327 C	R200-0404-01T-XXX-R27-L14	01S	93S	.018	62B	4
JIC 328 B	R200-0404-01T-XXX-R27-L14	01S	93S	.018	62B	4
JIC 328 BC	R200-0404-01T-XXX-R27-L14	01S	93S	.018	62B	4
JIC 329 C	R200-0404-01T-XXX-R27-L14	01S	93S	.018	62B	4
JIC 329 B	R200-0404-01T-XXX-R27-L14	01S	93S	.018	62B	4
JIC 329 BC	R200-0404-01T-XXX-R27-L14	01S	93S	.018	62B	4
JIC 329 C	R200-0404-01T-XXX-R27-L14	01S	93S	.018	62B	4
JIC 337	R200-0404-01T-XXX-R27-L14	01S	93S	.018	62B	4
JIC 337 A	R200-0404-01T-XXX-R27-L14	01S	93S	.018	62B	4



Electro Optical Components, Inc.

5460 Skylane Boulevard, Santa Rosa, CA 95403

Phone: (707) 568-1642 • FAX: (707) 568-1652

www.eoc-inc.com

IFW GmbH Sockets <i>Continued</i>						
IFW GmbH Sockets Model Number	Andon Part Number Replace "XXX" with Terminal Type	Terminal Type		Pin Ø [in]	Figure Number	Page Number
		Thru-Hole	Surface Mount			
JIC 338	R200-0404-01T-XXX-R27-L14	01S	93S	.018	62B	4
JIC 338 A	R200-0404-01T-XXX-R27-L14	01S	93S	.018	62B	4
JIC 339	R200-0404-01T-XXX-R27-L14	01S	93S	.018	62B	4
JIC 339 A	R200-0404-01T-XXX-R27-L14	01S	93S	.018	62B	4
JIC 347 B	R200-0404-01T-XXX-R27-L14	01S	93S	.018	62B	4
JIC 347 BC	R200-0404-01T-XXX-R27-L14	01S	93S	.018	62B	4
JIC 347 C	R200-0404-01T-XXX-R27-L14	01S	93S	.018	62B	4
JIC 348 B	R200-0404-01T-XXX-R27-L14	01S	93S	.018	62B	4
JIC 348 BC	R200-0404-01T-XXX-R27-L14	01S	93S	.018	62B	4
JIC 348 C	R200-0404-01T-XXX-R27-L14	01S	93S	.018	62B	4
JIC 349 B	R200-0404-01T-XXX-R27-L14	01S	93S	.018	62B	4
JIC 349 BC	R200-0404-01T-XXX-R27-L14	01S	93S	.018	62B	4
JIC 349 C	R200-0404-01T-XXX-R27-L14	01S	93S	.018	62B	4
JIC 357	R200-0404-01T-XXX-R27-L14	01S	93S	.018	62B	4
JIC 357 A	R200-0404-01T-XXX-R27-L14	01S	93S	.018	62B	4
JIC 358	R200-0404-01T-XXX-R27-L14	01S	93S	.018	62B	4
JIC 358 A	R200-0404-01T-XXX-R27-L14	01S	93S	.018	62B	4
JIC 359	R200-0404-01T-XXX-R27-L14	01S	93S	.018	62B	4
JIC 359 A	R200-0404-01T-XXX-R27-L14	01S	93S	.018	62B	4
JIC 367 B	R200-0404-01T-XXX-R27-L14	01S	93S	.018	62B	4
JIC 367 BC	R200-0404-01T-XXX-R27-L14	01S	93S	.018	62B	4
JIC 368 B	R200-0404-01T-XXX-R27-L14	01S	93S	.018	62B	4
JIC 368 BC	R200-0404-01T-XXX-R27-L14	01S	93S	.018	62B	4
JIC 369 B	R200-0404-01T-XXX-R27-L14	01S	93S	.018	62B	4
JIC 369 BC	R200-0404-01T-XXX-R27-L14	01S	93S	.018	62B	4
JQ 20P	R400-SP06-01T-XXX-R27-L14	01S	93S	.018	162	4
JQ 50P	R400-SP06-01T-XXX-R27-L14	01S	93S	.018	162	4
JQ 5P	R200-0404-01T-XXX-R27-L14	01S	93S	.018	62B	4
JQ C4	R200-0404-01T-XXX-R27-L14	01S	93S	.018	62B	4
JQC5R	R200-0404-01T-XXX-R27-L14	01S	93S	.018	62B	4

Top View Shown
Units: in [mm]

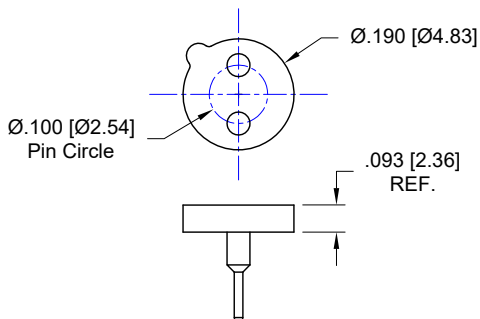


Fig. 21C

Thru-Hole: R100-0402-06T-75S-R27-L14
Surface Mount: R100-0402-06T-265S-R27-L14

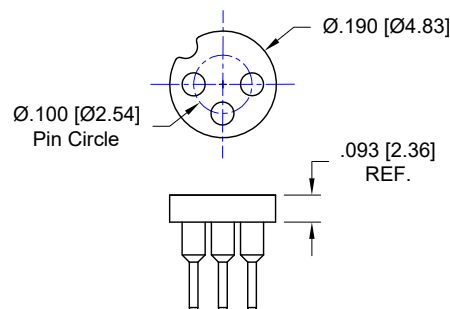


Fig. 22N

Thru-Hole: R100-0403-02N-75S-R27-L14
Surface Mount: R100-0403-02N-265S-R27-L14

IFW GmbH Sockets Continued

Top View Shown

Units: in [mm]

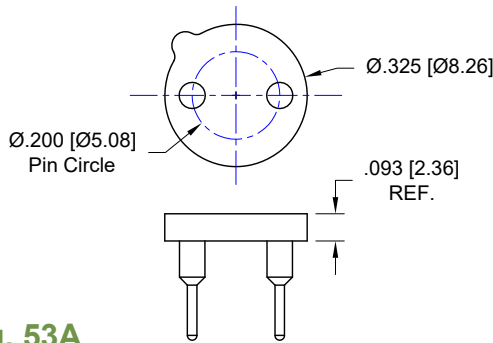


Fig. 53A

Thru-Hole: R200-0402-02T-01S-R27-L14

Surface Mount: R200-0402-02T-93S-R27-L14

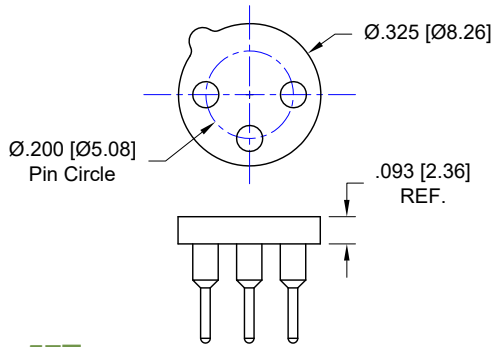
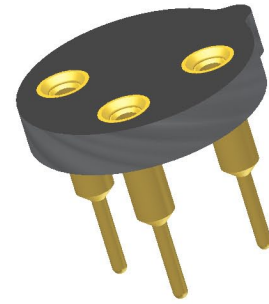


Fig. 57T

Thru-Hole: R200-0403-02T-01S-R27-L14

Surface Mount: R200-0403-02T-93S-R27-L14

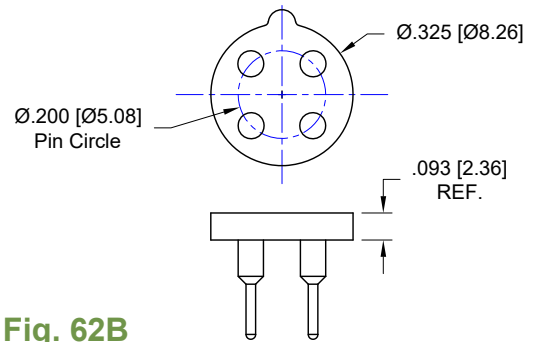


Fig. 62B

Thru-Hole: R200-0404-01T-01S-R27-L14

Surface Mount: R200-0404-01T-93S-R27-L14

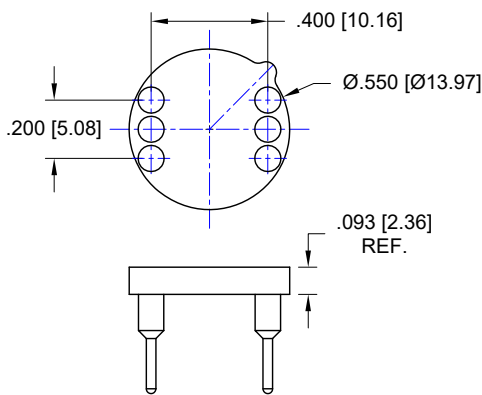


Fig. 162

Thru-Hole: R400-SP06-01T-01S-R27-L14

Surface Mount: R400-SP06-01T-93S-R27-L14

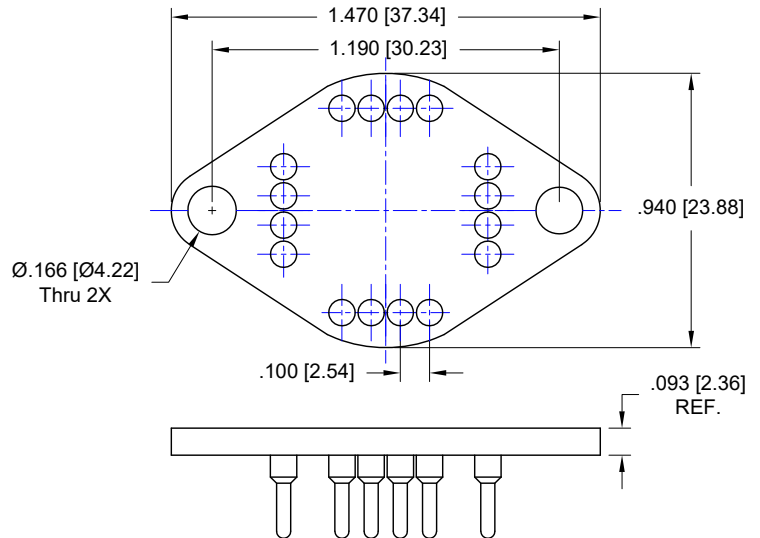


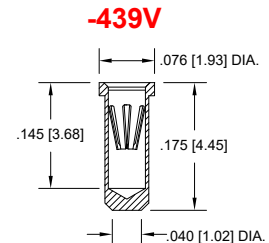
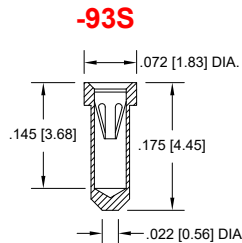
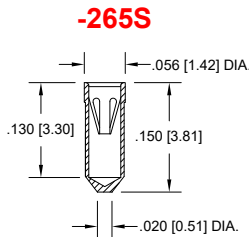
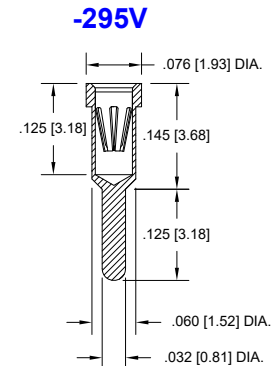
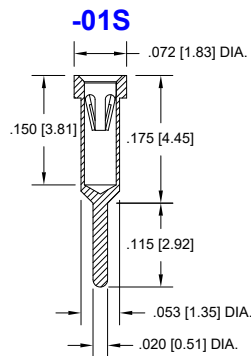
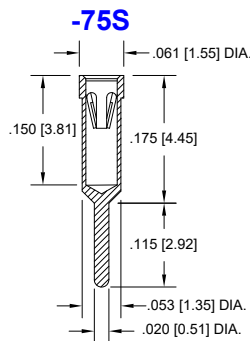
Fig. 252

Thru-Hole: F700-SP16-01-295V-R27-L14

Surface Mount: F700-SP16-01-439V-R27-L14

IFW GmbH Sockets Continued

Socket Terminal Details
Cross Section View Shown Units: in [mm]



Technical Information

Material:

Insulator: Hi-Temp UL 94V-O
Terminal: Brass, per ASTM-B16
Contact: BeCu, Per ASTM-B194

Plating: RoHS COMPLIANT

R27 TERMINAL: GOLD / CONTACT: GOLD

R17 TERMINAL: TIN / CONTACT: GOLD

OTHER PLATINGS AVAILABLE

Terminal Acceptance and Forces

Thru Hole Terminals				Surface Mount Terminals			
Thru Hole Terminal	Accepts Pin Diameter	Insertion Force	Withdrawal Force	Surface Mount Terminal	Accepts Pin Diameter	Insertion Force	Withdrawal Force
-75S	Ø.018 [Ø1.46]	9.0 oz Avg.	2.0 oz Min	-265S	Ø.018 [Ø0.46]	9.0 oz Avg.	2.0 oz Min
-01S	Ø.018 [Ø0.46]	9.0 oz Avg.	2.0 oz Min	-93S	Ø.018 [Ø0.46]	9.0 oz Avg.	2.0 oz Min
-295V	Ø.030 [Ø0.76]	13.2 oz Max	3.5 oz Min	-439V	Ø.030 [Ø0.76]	13.2 oz Max	3.5 oz Min

MOUNTING OPTIONS

