

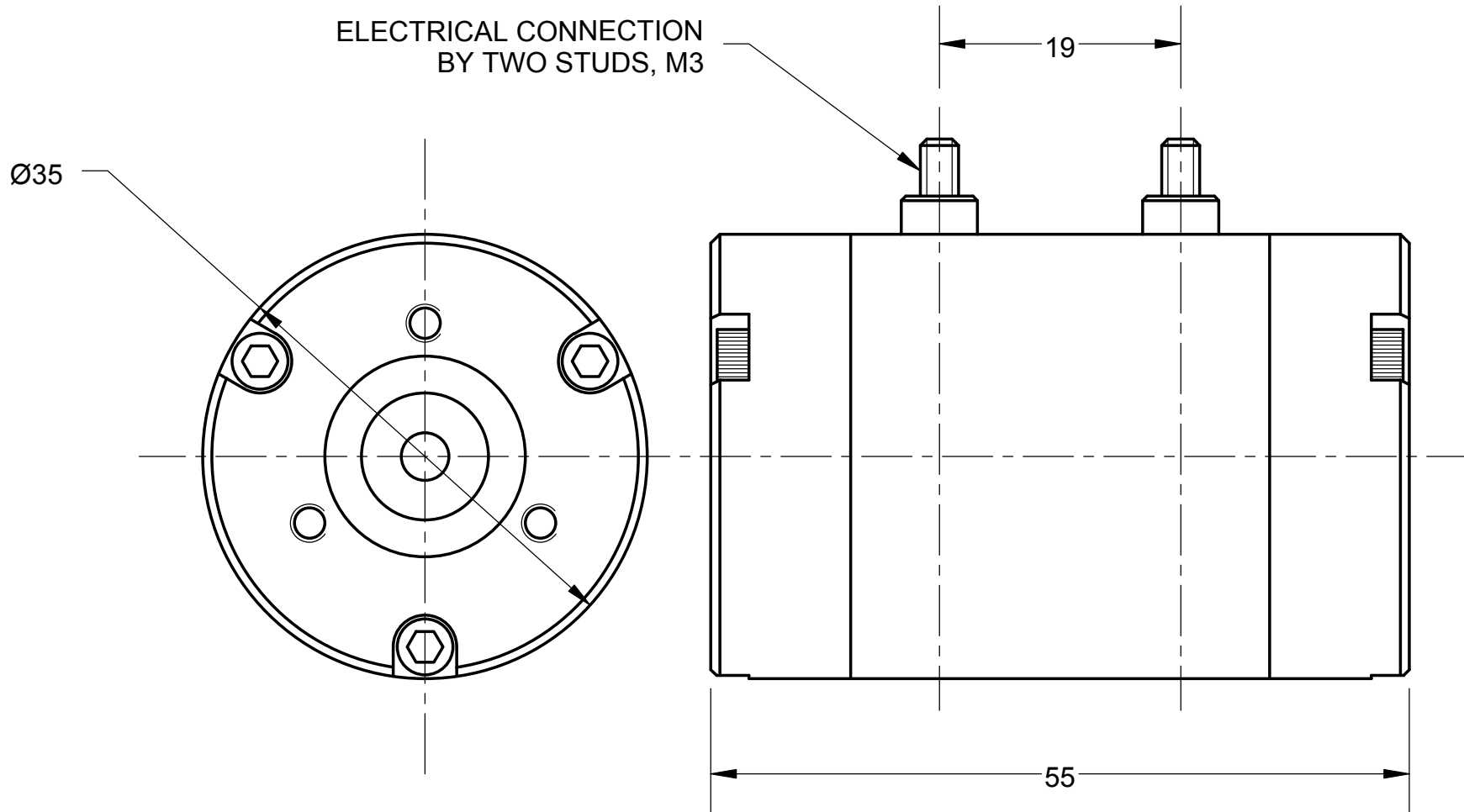


# Electro Optical Components, Inc.

5460 Skylane Boulevard, Santa Rosa, CA 95403

Toll Free: 855-EOC-6300

[www.eoc-inc.com](http://www.eoc-inc.com) | [info@eoc-inc.com](mailto:info@eoc-inc.com)

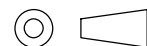


DRAWING FOR INFORMATION ONLY - SUBJECT TO MODIFICATION AND SHOULD NOT BE USED FOR PRODUCTION

**LEYSOP**

BBO-X-25 INTERFACE DRAWING

Scale  
2:1



Drawn

Drawing No.

Approved

Dims.  
mm

Issue

1

Date

11/06/10

Tolerances Unless  
Otherwise Stated

±0.1