



Electro Optical Components, Inc.

5460 Skylane Boulevard, Santa Rosa, CA 95403

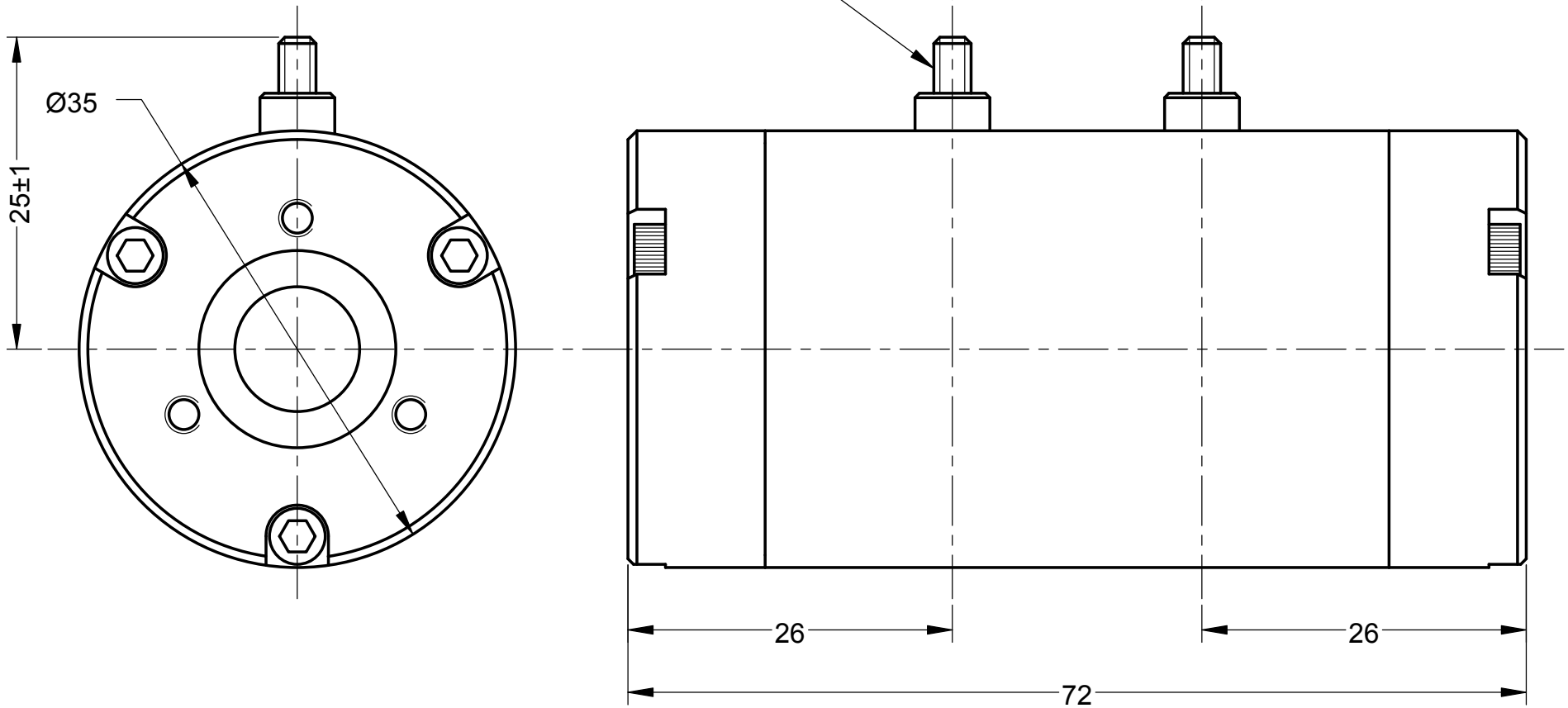
Toll Free: 855-EOC-6300

www.eoc-inc.com | info@eoc-inc.com



SECTION X-X

ELECTRICAL CONNECTION
BY TWO STUDS, M3



LEYSOP

BBO DOUBLE Q-SWITCH
INTERFACE DRAWING

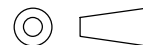
Scale
2:1

Drawn

Approved

Issue
1

Date
31/03/05



Drawing No.

Dims.
mm

Tolerances Unless
Otherwise Stated

±0.2