



**Electro Optical Components, Inc.**

5460 Skylane Boulevard, Santa Rosa, CA 95403

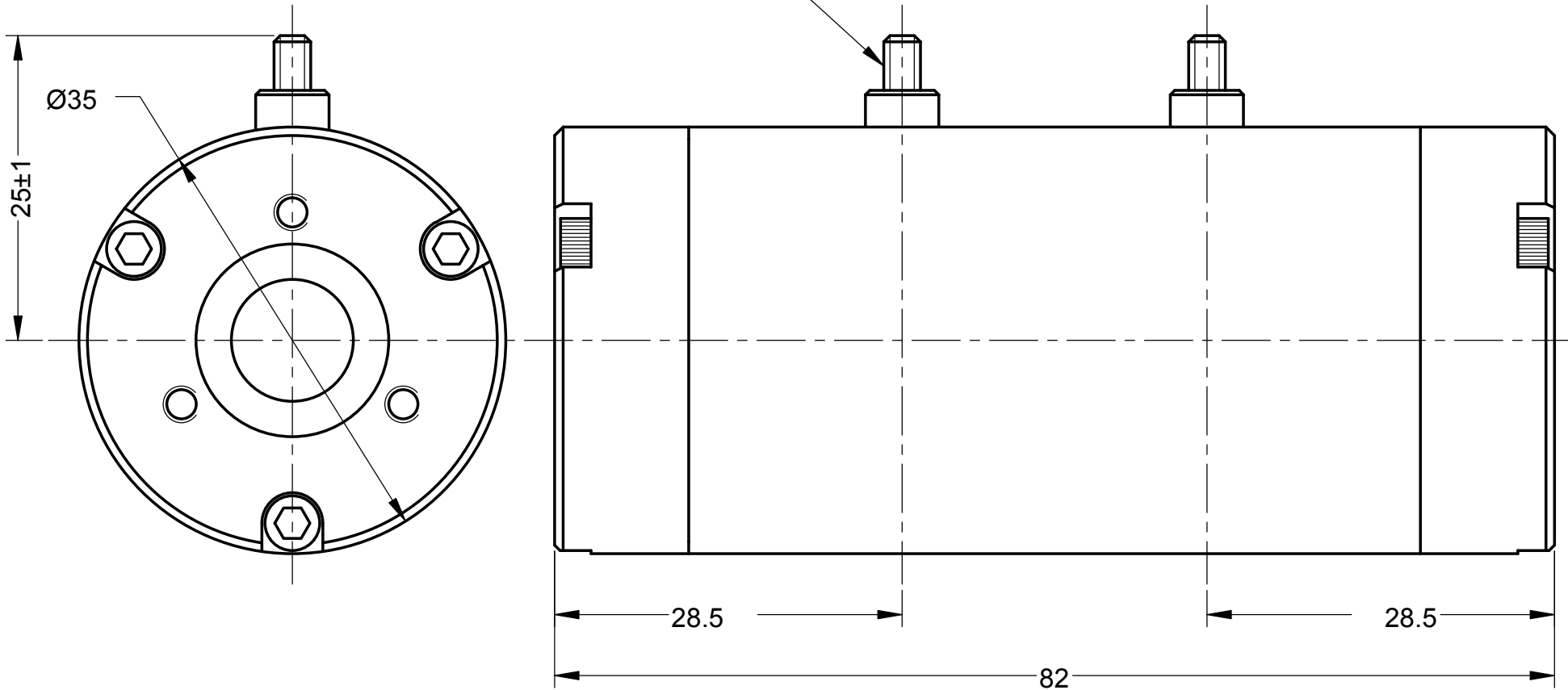
Toll Free: 855-EOC-6300

[www.eoc-inc.com](http://www.eoc-inc.com) | [info@eoc-inc.com](mailto:info@eoc-inc.com)



SECTION X-X

ELECTRICAL CONNECTION  
BY TWO STUDS, M3



**LEYSOP**

BBO X-50 DOUBLE Q-SWITCH  
INTERFACE DRAWING

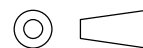
Scale  
2:1

Drawn

Approved

Issue  
1

Date  
31/03/05



Drawing No.

Dims.  
mm

Tolerances Unless  
Otherwise Stated

±0.2