

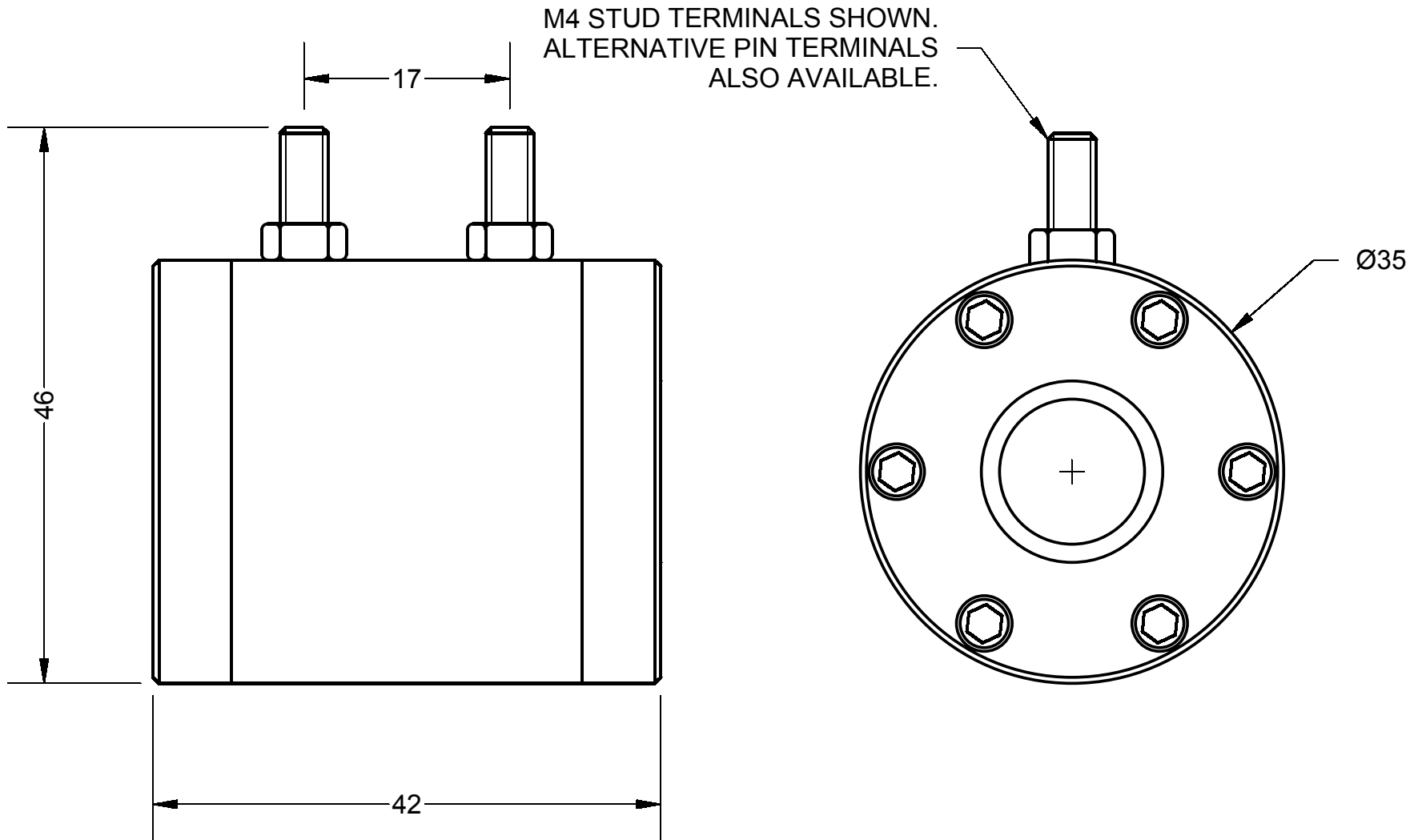


Electro Optical Components, Inc.

5460 Skylane Boulevard, Santa Rosa, CA 95403

Toll Free: 855-EOC-6300

www.eoc-inc.com | info@eoc-inc.com



LEYSOP

EM510M INTERFACE DRAWING

Scale
2:1

Drawn

Approved

Issue
1

Date
08/08/01



Drawing No.
189 Part 7

Dims.
mm

Tolerances Unless
Otherwise Stated ±0.1