



BROADBAND UV RADIOMETER

GUVV-T10GC-H6



Features

- For monitoring of UV irradiance (Total UV)
- No Power supply needed
- Analog Voltage Output
- Measure the UV Power from Sunlight



Applications

UV Power Monitoring of Sunlight

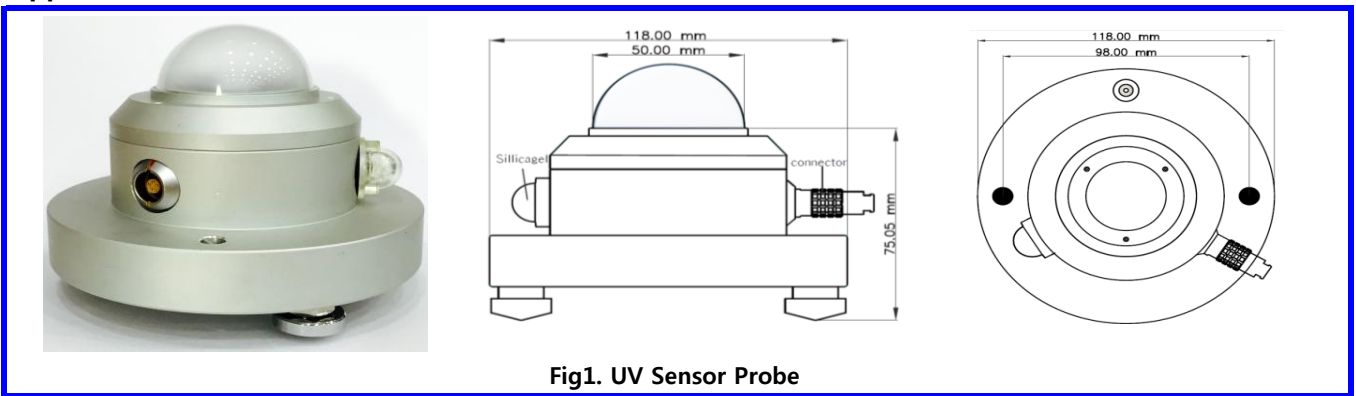


Fig1. UV Sensor Probe

*Standard cable length 10 m

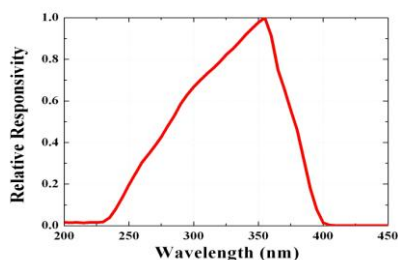
Absolute Maximum Ratings

Parameter	Symbol	Value			Unit	Remark
		Min.	Typ.	Max.		
Storage Temperature	T _{st}	-40		90	°C	
Operating Temperature	T _{op}	-30		85	°C	

Electro-Optical Characteristics (at 25 °C)

Parameter	Symbol	Value			Unit	Remark
		Min.	Typ.	Max.		
Spectral Detection Range	λ	230		395	nm	10% of Max.
Sensitivity	S		2		mV/mW/cm ²	
Maximum UV irradiance	I _{uv}	0		100	mW/cm ²	
Impedance (nominal)	R		10		k Ω	
Field of view			180		degrees	
Directional response (up to 70°)			5		%	
Response Time	T		5		ms	

Relative Responsivity



Field of view

