

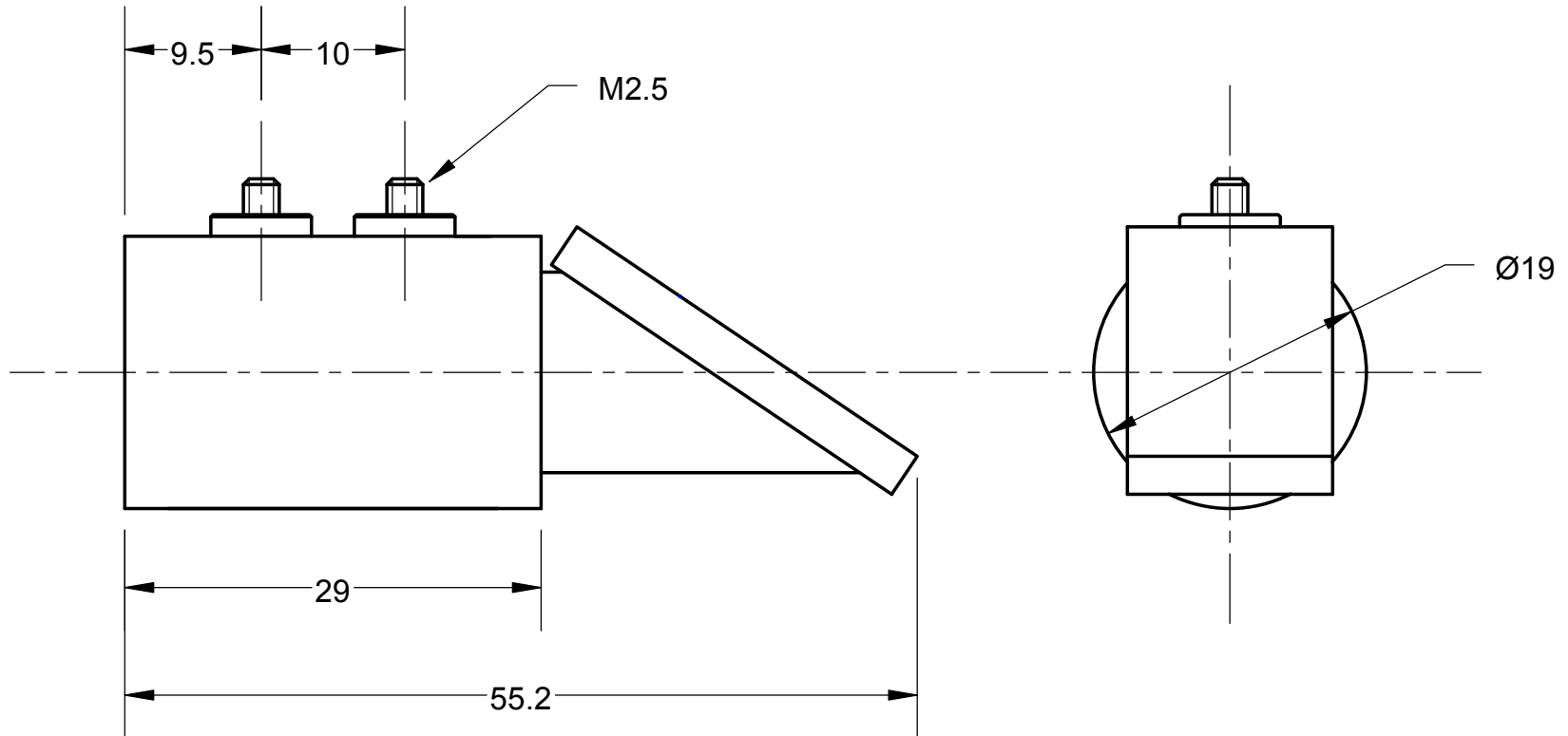


# Electro Optical Components, Inc.

5460 Skylane Boulevard, Santa Rosa, CA 95403

Toll Free: 855-EOC-6300

[www.eoc-inc.com](http://www.eoc-inc.com) | [info@eoc-inc.com](mailto:info@eoc-inc.com)



**PRELIMINARY - NOT TO BE USED FOR MANUFACTURING**

**LEYSOP**

EM508UC INTERFACE DRAWING

Scale  
2:1

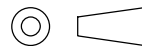
Drawn

Approved

Issue

Date

08/04/13



Drawing No.  
354

Dims.  
mm

Tolerances Unless  
Otherwise Stated ±0.1