



# Electro Optical Components, Inc.

5460 Skylane Boulevard, Santa Rosa, CA 95403

Toll Free: 855-EOC-6300

[www.eoc-inc.com](http://www.eoc-inc.com) | [info@eoc-inc.com](mailto:info@eoc-inc.com)

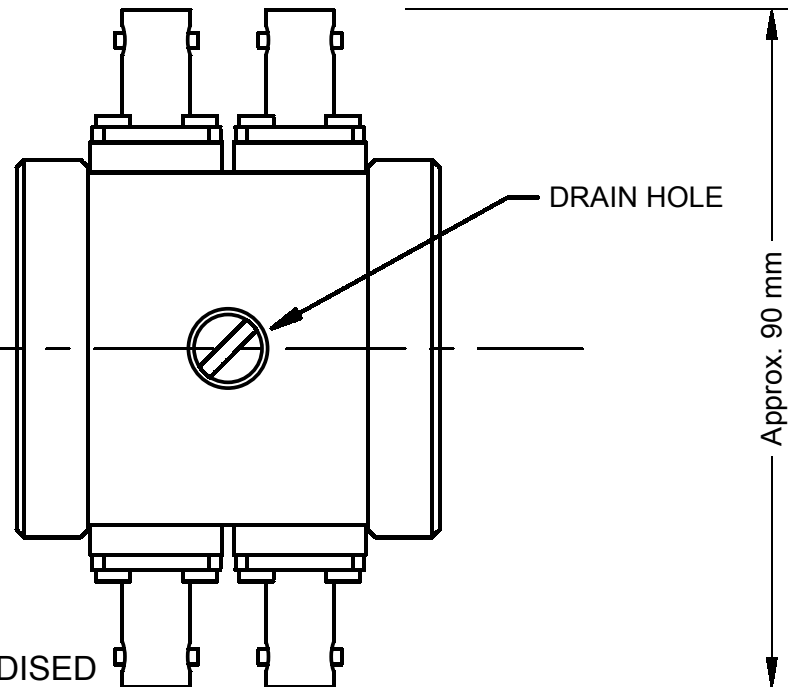
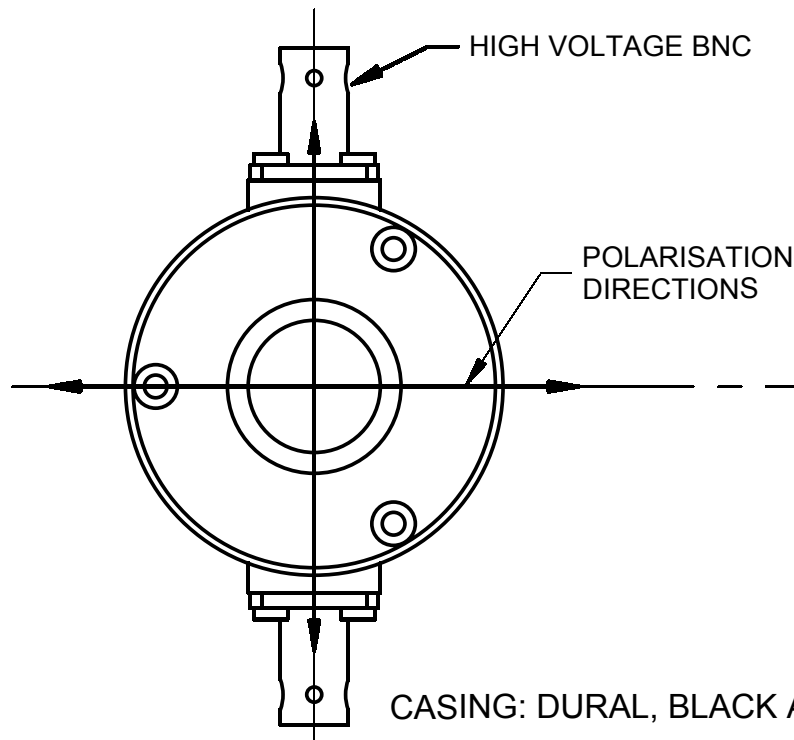
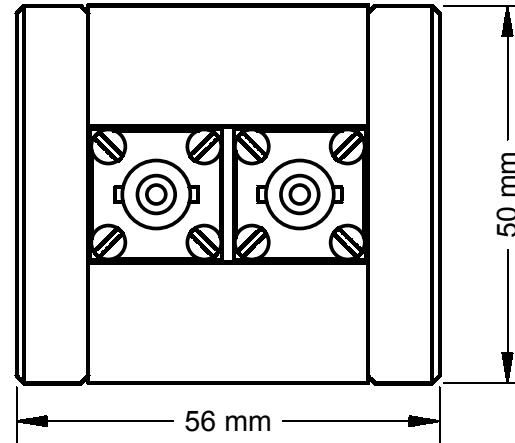


DRAWING FOR INFORMATION PURPOSES ONLY  
DOES NOT FORM A PART OF ANY SPECIFICATION  
IMPLIED OR OTHERWISE

DO NOT SCALE DRAWING

COMPONENT MAY BE CONFIGURED  
WITH 1, 2, OR 4 CONNECTORS  
4 CONNECTOR VERSION SHOWN

DESIGN SUBJECT TO CHANGE WITHOUT NOTICE



**LEYSOP**

EM508/510/512 Q-SWITCH INTERFACE  
DRAWING

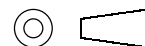
Scale  
1:1

Drawn  
SJP

Approved

Issue  
2

Date  
24/10/01



Drawing No.  
45 (part 4)

Tolerances Unless  $\pm 0.1$   
Otherwise Stated