

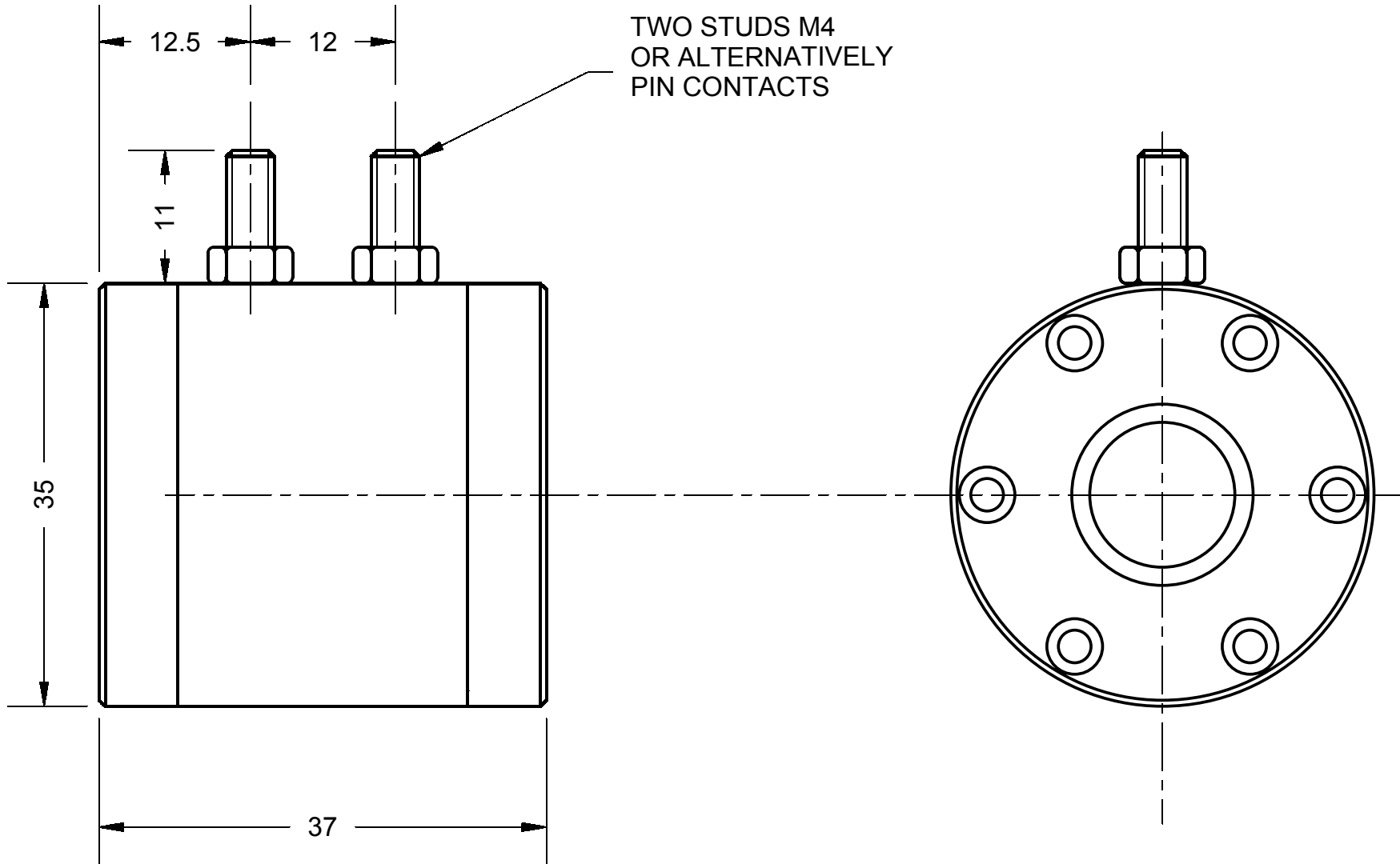


# Electro Optical Components, Inc.

5460 Skylane Boulevard, Santa Rosa, CA 95403

Toll Free: 855-EOC-6300

[www.eoc-inc.com](http://www.eoc-inc.com) | [info@eoc-inc.com](mailto:info@eoc-inc.com)



**LEYSOP**

EM508M INTERFACE DIAGRAM

Scale  
2:1

Drawn  
S. PAYNE

Approved  
P. FRANKS

Issue  
1

Date  
09/09/02



Drawing No.  
93 part 3

Dims.  
mm

Tolerances Unless  
Otherwise Stated  $\pm 0.1$