



Electro Optical Components, Inc.

5460 Skylane Boulevard, Santa Rosa, CA 95403

Toll Free: 855-EOC-6300

www.eoc-inc.com | info@eoc-inc.com

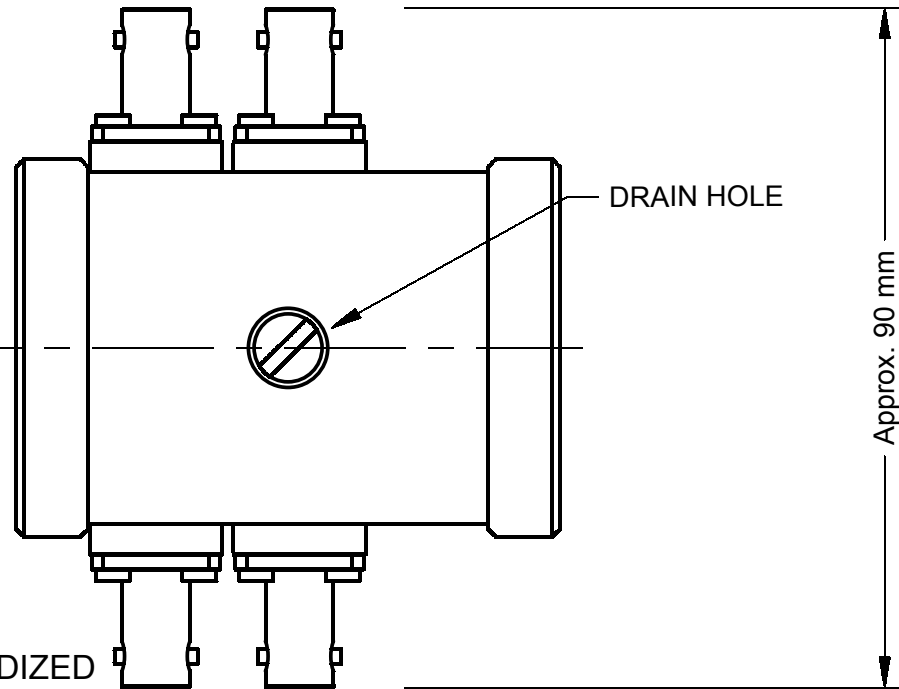
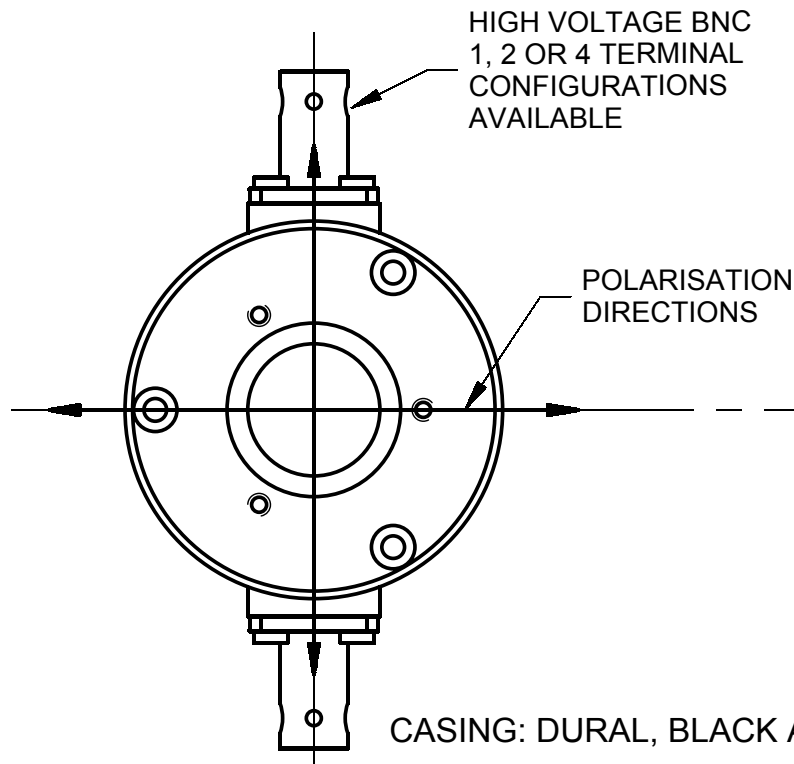
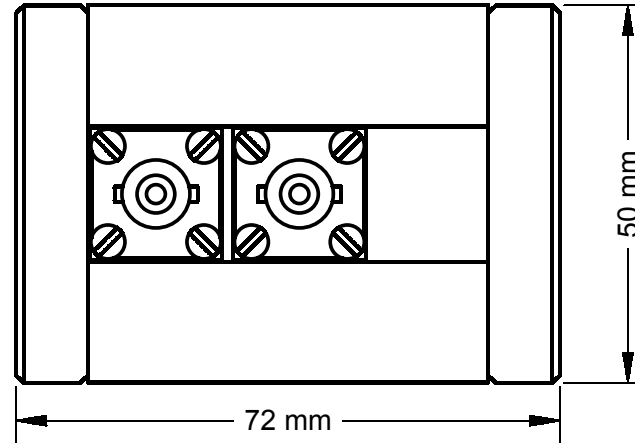


DRAWING FOR INFORMATION PURPOSES ONLY
DOES NOT FORM A PART OF ANY SPECIFICATION
IMPLIED OR OTHERWISE

DO NOT SCALE DRAWING

DESIGN SUBJECT TO CHANGE WITHOUT NOTICE

INPUT POLARISATION PARALLEL OR ORTHOGONAL
TO AXES OF CONNECTORS



CASING: DURAL, BLACK ANODIZED

LEYSOP

DOUBLE Q-SWITCH
INTERFACE DRAWING

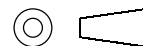
Scale
1:1

Drawn
S. PAYNE

Approved
P. FRANKS

Issue
1

Date
24/10/01



Drawing No.
131 Part 5

Tolerances Unless ± 0.1
Otherwise Stated