



Electro Optical Components, Inc.

5460 Skylane Boulevard, Santa Rosa, CA 95403

Toll Free: 855-EOC-6300

www.eoc-inc.com | info@eoc-inc.com



Four Channel Pyroelectric Detector PS4x4V1-A-S1.5

Preliminary

Pyroelectric quad-channel voltage mode detector with **Pyrople®** chip for NDIR gas analysis.

Active Area	4 x (1.15 x 1.15)	mm ²
Aperture	4 x (1.5 x 1.5)	mm ²
Mode	Voltage	
Time Constant $t_{(0-63\%)} \text{ thermal}$	typ. 32	ms
Time Constant $t_{(0-63\%)} \text{ electrical}$	typ. 2000	ms
AC Sensitivity ^{1,2,3}	typ. 725	V/W
Noise Density Voltage ¹	typ. 0.24	$\mu\text{V}/\text{Hz}^{1/2}$
Noise Equivalent Power NEP ^{1,2,3}	typ. 3.31×10^{-10}	W/Hz ^{1/2}
Specific Detectivity $D^* \text{ }^{1,2,3}$	typ. 3.47×10^8	cmHz ^{1/2} /W
Microphonic Voltage ¹	typ. 50	$\mu\text{V}/\text{g}$
Filling Gas	Kr	
Filters	All Micro-Hybrid standard narrow band pass filters can be combined. Customized filters on request. For more information please see document "infrared filters"	
Drain Source Voltage	max. +18	VDC
External Load	47	kOhm
Offset Voltage	0.3 ... 1	V
Gate Resistor	100	GOhm
Operation Temperature	-25 ... +85	°C
Mass	~1	g
Housing	TO39 (modified)	

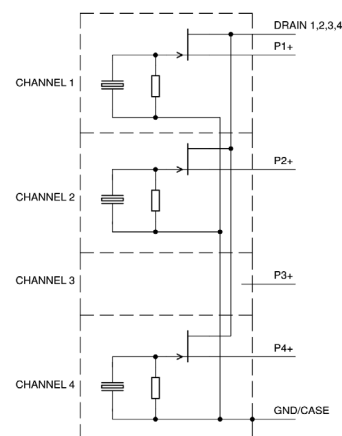
¹ at T_{amb}=25 °C, 10 Hz, band width 1 Hz

² Blackbody T=500 K; E=38 W/m²

³ on air without windows



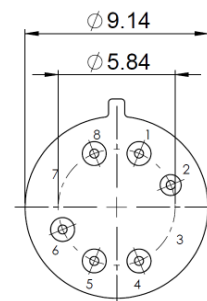
Equivalent Circuit



Pin Assignment

Bottom View

- Pin 1 Output P4+
- Pin 2 Mass (GND)
- Pin 4 Output P1+
- Pin 5 Output P2+
- Pin 6 Output P3+
- Pin 8 Drain

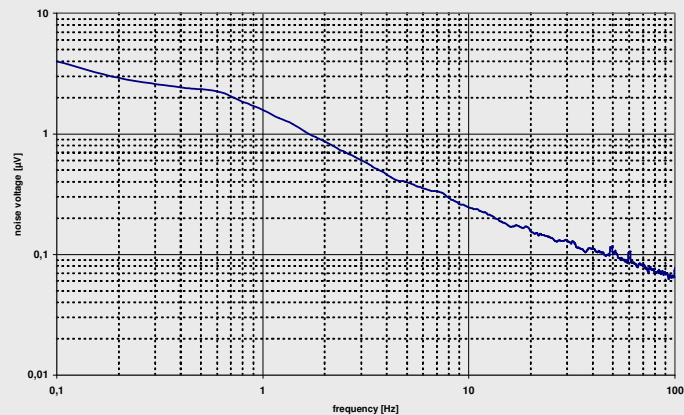
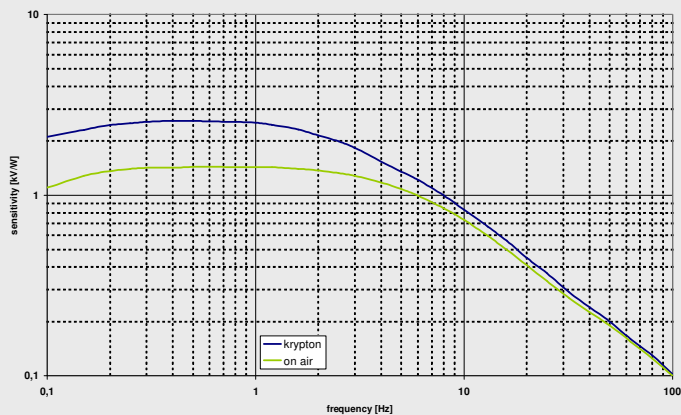


Four Channel Pyroelectric Detector PS4x4V1-A-S1.5

Preliminary

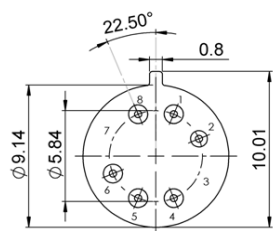


Frequency Response

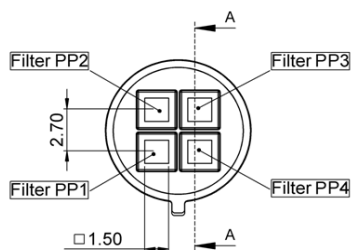


Housing

Bottom View



Top View



Ordering Information

PS4x4V1-A-S1.5-Filling Gas (GG)-Filters (H/H/H/H)

e.g. PS4x4V1-A-S1.5-Kr- D1/E1/G1/H1

Optional parts

Evaluation Kit - For independent evaluation of emitters and detectors
Art.-Nr. 7206.01-A.00